



IPC-6806S-D	IPC-6606/6608	IPC-7132	IPC-5120/7120	IPC-6025	IPC-5122	IPC-7130	IPC-7130L	IPC-7220
PICMG 1.0/1.3 Half-size SBC	PICMG 1.0/1.3 Full-size SBC	PICMG 1.3 Full-size SBC/ ATX / Micro ATX	Micro ATX / ATX	PICMG 1.0/1.3 Full-size SBC	Micro ATX	ATX / Micro ATX	ATX / Micro ATX	ATX / Micro ATX
1	-	-	- / -	-	1	-	-	-
1 (hot-swap)	-	-	-	-	-	-	-	-
-	1 / 1	1	1 / 1	1	1	2	2	1
1	1 / -	2	1 / 1	1	1	1	1	1
-	1 / 2	1	1 / 1	-	-	1	1	2
2	2 / 2	2	Front I/O chassis	2	2	2	2	2
-	- / -	-	-	-	-	-	-	-
1	1 / 1	1	1 + 1	1	1	1 + 1	1 + 1	1
53	53 / 85	85	85 / 10	46.6	85	73.8 + 21.2	73.8 + 21.2	85
250W Flex ATX	250W PS/2 300W PS/2	300W PS/2 400W PS/2	250W Flex ATX 350W Flex ATX	270W Flex ATX	300W PS/2 400W PS/2	300W PS/2 400W PS/2	300W PS/2 400W PS/2	300W PS/2 400W PS/2
-	-	-	-	-	-	350W Mini RPS 500W Mini RPS	350W Mini RPS 500W Mini RPS	350W Mini RPS 500W Mini RPS
-	-	-	-	-	-	-	-	-
4	5 / 7	9	4 / 7	4	4	7	7	7
-	6 / 8	10	-	5 / 5	-	7	7	7
Yes	Yes	-	-	Yes	-	-	-	-
Yes	Yes	Yes	-	Yes	-	-	-	-
-	-	-	-	Yes	Yes	Yes	-	Yes
191 x 178 x 290	173 x 254 x 396/ 173 x 315 x 410	200 x 330 x 430	320 x 164 x 316.5/ 380 x 164 x 316.5	111 x 212 x 420	157 x 360 x 340	200 x 320 x 480	200 x 320 x 480	200 x 320 x 480
7.5 x 7.01 x 11.42	6.8 x 10 x 15.6 / 6.8 x 12.4 x 16.1	7.9 x 13 x 16.9	12.6 x 6.5 x 12.5/ 15 x 6.5 x 12.5	4.4 x 8.3 x 16.5	6.2 x 14.2 x 13.4	7.9 x 12.6 x 18.9	7.9 x 12.6 x 18.9	7.9 x 12.6 x 18.9
5.6	9 / 11	9.96	6.54 / 7.01	4.7	6.5	12.8	11.11	14
12.3	19.8 / 24.2	21.93	14.42 / 15.45	10.3	14.3	28.2	24.49	30.8
12-18	12-20	12-22	12-26	12-28	12-30	12-32	12-34	12-24

- Intelligent Video and IoT Sensors **1**
- Intelligent Transportation Platforms **2**
- Intelligent Inspection Systems **3**
- Modular IPCs **4**
- Server-grade IPCs **5**
- Industrial Storages **6**
- Video Wall Controllers **7**
- GPU Servers **8**
- Industrial Motherboards **9**
- Slot SBC & Passive Backplanes **10**
- Compact PCI Platforms **11**
- Industrial Chassis **12**
- Industrial Computer Peripherals **13**
- Industrial Ethernet Solutions **14**

# Industrial Computer Chassis



Model Name		1U Rackmount			2U Rackmount			4U Rackmount			
		IPC-100	IPC-120	ACP-1010	IPC-603	ACP-2000/ IPC-602	ACP-2010/2320	IPC-510	IPC-610-L	IPC-611	
Form Factor Support		Mini ITX	PICMG 1.3 Half-size SBC	PICMG 1.0/1.3 Full-Size SBC ATX/MicroATX	ATX/MicroATX	PICMG 1.0/1.3 Full-Size SBC	ATX/MicroATX	PICMG1.0/1.3 Full size SBC ATX/Micro-ATX	PICMG1.0/1.3 Full size SBC ATX/Micro-ATX	PICMG1.0/1.3 Full size SBC ATX/Micro-ATX	
Drive Bay	Slim Optical Drive	1	-	1	1	1 / -	- / 1	-	-	-	
	2.5"	-	2 (Internal)	1 x 3.5" or 2 x 2.5"	-	-	-	-	-	-	
	3.5"	Hot-swap	-	-	-	-	-	- / 2 (SAS/SATA)	-	-	-
		External	-	-	1	-	2 / 1	1 / -	1	1	
	Internal	1	-	1 x 3.5" or 2 x 2.5"	1	- / 1	2	-	-	-	
5.25"	-	-	-	-	- / 1	1 / -	3	3	3		
Front I/O	USB	8	2	2	0	2	2	2	2	2	
	PS/2	-	-	-	-	1	1	1	-	-	
Cooling	No. of Fans	-	1	2 (MB), 4 (BP)	2	2	2 / 3	1	1	1	
	CFM	-	6.5	2 x 24 (MB) / 3 x 24 + 1 x 15 (BP)	47	2 x 47/ 2 x 40	2 x 47/ 2 x 47 + 1 x 28	77	85	85	
Power Supply	AC	60W power board	250W Flex ATX 300W Flex ATX	250W Flex ATX 300W Flex ATX	350W Flex ATX	250W PS/2 300W PS/2 400W PS/2 500W PS/2	250W Flex ATX 300W Flex ATX	250W PS/2 300W PS/2 400W PS/2	250W PS/2 300W PS/2	250W PS/2 300W PS/2	
	AC Redundant	-	-	-	-	300W 1+1 RPS / -	250W 1+1	-	350W Mini RPS 500W Mini RPS	350W Mini RPS 500W Mini RPS	
	DC	-	-	-	-	300W 48V	-	-	-	-	
No. of Slots		1	3	MB: 1 BP: 3	3	6 / 6	3 / 3	15	15	15	
No. of Full-size Cards <sup>Note</sup>		0	0	MB: 1 BP: 0	0	4 / 4	3 / 3	8	15	15	
Passive Backplane Options	PICMG 1.0	-	Yes	Yes	-	Yes	-	Yes	Yes	Yes	
	PICMG 1.3	-	-	Yes	-	Yes	-	Yes	Yes	Yes	
Intelligent System Module		-	-	-	-	Yes	Yes	-	-	-	
Dimensions (W x H x D)	mm	480 x 44 x 288	480 x 44 x 300	480 x 44 x 497	482 x 88 x 308	482 x 88 x 451	482 x 88 x 480	482 x 177 x 446	482 x 177 x 480	482 x 177 x 480	
	inch	19 x 1.7 x 11.4	19 x 1.7 x 11.8	19 x 1.7 x 19.6	19 x 3.46 x 12.1	19 x 3.5 x 17.8	19 x 3.5 x 18.9	19 x 7 x 17.6	19 x 7 x 18.9	19 x 7 x 18.9	
Weight	kg	3.6	3.1	8	6.4	11.5/11.3	10.7/11.7	10.7	14.5	14.2	
	lb	7.92	6.82	17.6	14.1	25.3/24.9	23.5/25.7	23.5	31.9	31.2	
Page		12-36	12-38	12-40	12-42	12-44	12-46	12-48	12-50	12-50	

Note: Depending on system configuration. Board component or CPU cooler mechanical interference might reduce supported full-sized card number.

Intelligent Video and IoT Sensors	1
Intelligent Transportation Platforms	2
Intelligent Inspection Systems	3
Modular IPCs	4
Server-grade IPCs	5
Industrial Storages	6
Video Wall Controllers	7
GPU Servers	8
Industrial Motherboards	9
Slot SBC & Passive Backplanes	10
CompactPCI Platforms	11
Industrial Chassis	12
Industrial Computer Peripherals	13
Industrial Ethernet Solutions	14



4U Rackmount										6U Rackmount
IPC-610-H	IPC-610-F	IPC-619	ACP-4020	ACP-4D00	ACP-4000	ACP-4010/ ACP-4320	ACP-4340	ACP-4360	IPC-623	IPC-622
PICMG1.0/1.3 Full size SBC ATX/Micro-ATX	PICMG1.0/1.3 Full size SBC ATX/Micro-ATX	PICMG 1.0/1.3 Fill-size SBC	PICMG1.0/1.3 Full-size SBC ATX/Micro-ATX	PICMG 1.3/PCI Half-sized SBC	PICMG1.0/1.3 Full-size SBC ATX/Micro-ATX	PICMG1.0/1.3 Full-size SBC ATX/Micro-ATX	PICMG1.0/1.3 Full size SBC ATX/Micro-ATX	PICMG1.0/1.3 Full size SBC ATX/Micro-ATX	PICMG 1.0/1.3 Full size SBC	PICMG 1.0/1.3 Full size SBC
-	-	-	1	-	-	-	1	1	-	-
-	-	-	1 (Internal)	-	-	-	1 (Internal)	-	-	-
-	-	-	-	-	-	- / 2 (SAS/SATA)	4 (SAS/SATA)	6 (SAS/SATA)	-	-
1	1	1	2	1 / each node	1	1 / -	-	1	1	-
-	1	-	-	-	-	1 / -	-	-	1	2
3	3	2	-	-	3	2	-	-	3	4
2	2	2	2 (USB 3.0)	2 (USB 2.0) + 2 (USB 3.0) / each node	2	4	2 (USB 3.0)	2	-	4
1	1	-	-	-	1	-	-	-	-	-
2	1	1	2	1 / each node	2	2 / 2	2	3	3	4
85	85	85	2 x 53	1 x 58 per node	2 x 85	2 x 85/ 1 x 114 + 1 x 28	1 x 74 + 1 x 56	1 x 114 + 2 x 47	114	4 x 58
300W PS/2 400W PS/2	300W PS/2 400W PS/2	250W PS/2 300W PS/2 400W PS/2	300W PS/2 400W PS/2 500W PS/2	250W Flex ATX 300W Flex ATX	300W PS/2 400W PS/2 500W PS/2	300W PS/2 400W PS/2 500W PS/2	400W PS/2 500W PS/2 700W PS/2	400W PS/2 500W PS/2 700W PS/2	400W 500W	400W PS/2 500W PS/2 700W PS/2
350W Mini RPS 500W Mini RPS	350W Mini RPS 500W Mini RPS	-	-	-	350W Mini RPS 500W Mini RPS	350W Mini RPS 500W Mini RPS 750W Mini RPS	350W Mini RPS 500W Mini RPS	350W Mini RPS 500W Mini RPS	460W 1+1 570W 2+1 810W 3+1	500W Mini RPS 750W Mini RPS
300W 48V	300W 48V	-	300W 48V	-	300W 48V	-	-	-	-	-
15	15	14	15	6 / each node	15	15 / 15	15	15	20	20
15	15	0	0	0	11	15 / 10	15	15	20	20
Yes	Yes	Yes	Yes	Yes (PCI BP only)	Yes	Yes	Yes	Yes	Yes	Yes
Yes	Yes	Yes	Yes	Yes	Yes	Yes	Yes	Yes	Yes	Yes
-	-	-	Yes	Yes	Yes	Yes	Yes	Yes	-	Yes
482 x 177 x 479	482 x 177 x 499 (MB) 482 x 177 x 449 (BP)	482 x 177 x 430	482 x 177 x 348	430 x 177 x 350	482 x 177 x 479	482 x 177 x 479	482 x 177 x 478	482 x 177 x 501	482 x 177 x 657	482 x 266 x 464
19 x 7 x 18.9	19 x 7 x 19.6 (MB) 19 x 7 x 17.8 (BP)	19 x 7 x 16.9	19 x 7.0 x 13.7	19 x 7.0 x 13.8	19 x 7 x 18.9	19 x 7 x 18.9	19 x 7.0 x 18.8	19 x 7.0 x 19.8	19 x 7 x 26	19 x 10.5 x 18.3
15	16.2	15	8.5	15	15.2	16.6/17.6	12.5	19	26	30
33	35.6	33	18.7	33	33.5	36.5/38.7	27.5	41.8	57	66
12-52	12-54	12-56	12-58	12-60	12-62	12-64/12-66	12-68	12-70	12-72	12-74

Note: Depending on system configuration. Board component or CPU cooler mechanical interference might reduce supported full-sized card number.

# IPC-3012

## Compact Chassis for PICMG 1.3 Half Size SHB



### Features

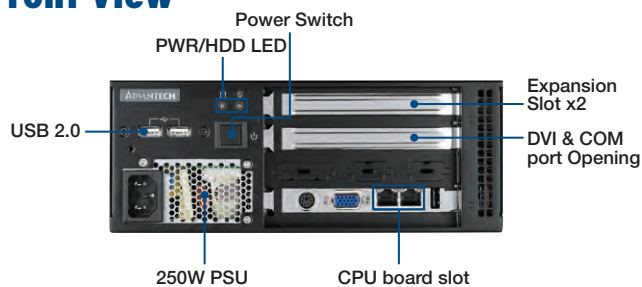
- Compact chassis with two front expansion slots
- Shockproof drive bay for two 2.5" HDDs
- Equipped 80 plus FLEX 250W power supply
- Thumb-screw for top cover easy opening
- Bidirectional to mount chassis on wall or workbench

CE FCC

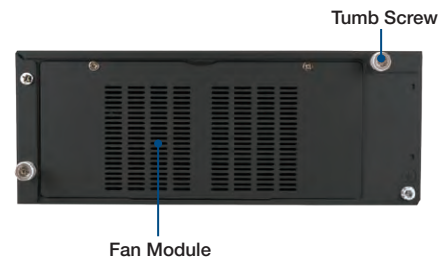
### Specifications

Disk Drive Bay	2.5"	External -	Internal 2
Cooling	Fan Air Filters	2 (6 cm/27 CFM) Yes	
Front I/O interface	USB	2	
Miscellaneous	LED Indicators Control	Power, HDD Power Switch	
Environment	Temperature	Operating 0 ~ 40° C (32 ~ 104° F)	Non-operating -20 ~ 60° C (-4 ~ 140° F)
	Humidity	10 ~ 85 % @ 40° C, non-condensing	10 ~ 95 % @ 40° C, non-condensing
	Vibration (5-500 Hz)	1 Grms	2 G
	Shock	10 G (with 11 ms duration, half sine wave)	
Physical Characteristics	Dimensions (W x H x D)	232 x 90 x 232 mm	
	Weight	3.24 kg (7.14 lb)	

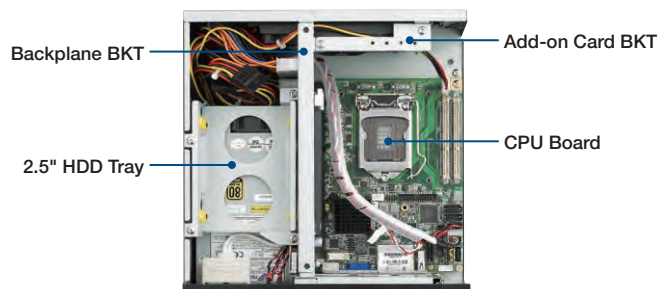
### Front View



### Rear View

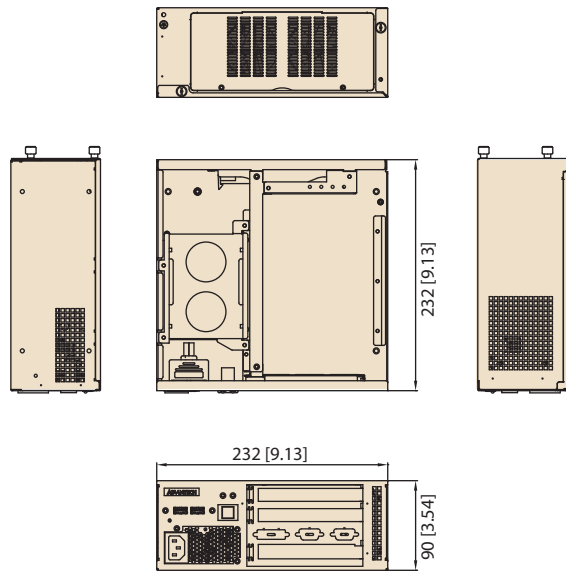


### Inside View



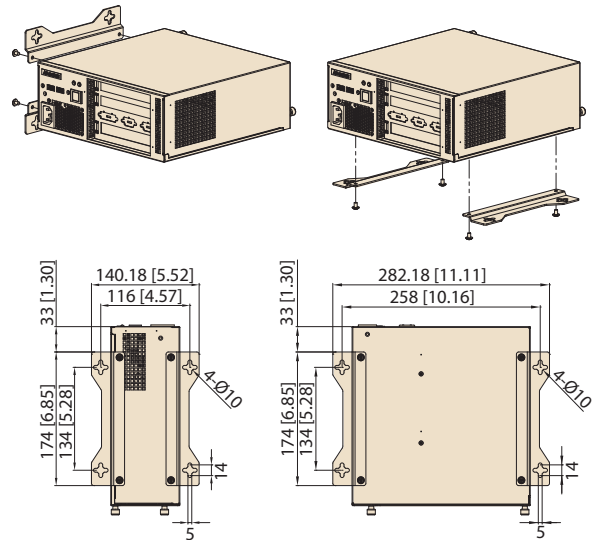
## Dimensions

Unit: mm [inch]



## Installation

Unit: mm [inch]



## Ordering Information

Part Number	Description
IPC-3012-25ZE	With 250W Power supply 96PS-A250WFX-2, with ATX switch

## Optional Accessories

Part Number	Description
1750006419	27.72 CFM, system fan 60 x 60 x 13 mm
1990005760T00B	Filter cover
1960053207N001	1.5U CPU cooler for one add-on card applied
1960053065N001	1U CPU cooler for two add-on cards applied

## CPU card Options

Part Number	Description
PCE-3026G2-00A1E	PICMG 1.3 H/S SHB, H61, 2GbE
PCE-3028G2-00A1E	PICMG 1.3 H/S SHB, H81, 2GbE, 2 display
PCE-4128G2-00A1E	PICMG 1.3 H/S SHB, C226, 2GbE, 2 display

## Backplane Options

Part Number	Description
PCE-3B03A-00A1E	3 Slots PICMG1.3BP, PCIe x16*1, PCIe x4*1
PCE-3B03-01A1E	3 Slots PICMG1.3BP, PCIe x16*1, 32-Bit/33 MHz PCI*1

Intelligent Video and IoT Sensors	1
Intelligent Transportation Platforms	2
Intelligent Inspection Systems	3
Modular IPCs	4
Server-grade IPCs	5
Industrial Storages	6
Video Wall Controllers	7
GPU Servers	8
Industrial Motherboards	9
Slot SBC & Passive Backplanes	10
CompactPCI Platforms	11
Industrial Chassis	12
Industrial Computer Peripherals	13
Industrial Ethernet Solutions	14

# IPC-3026

## Quiet Compact Chassis for Half Size SHB/SBC



### Features

- Support 6-slot PICMG 1.3/1.0 backplane
- Shockproof drive bay for one 3.5" HDD
- Support two 2.5" HDDs by hot-swap tray
- LED indicators for system fault detection
- Lockable front door prevent unauthorized access
- Built-in Intelligent System Module enabling whole system fan control and remote manageability

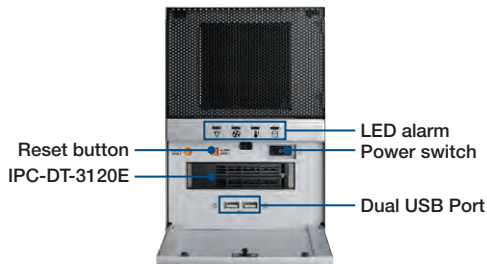
Quiet

CE FCC

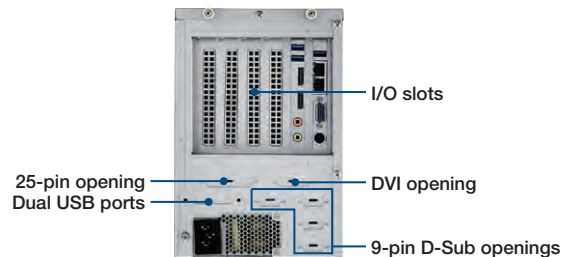
### Specifications

		External	Internal
Disk Drive Bay	3.5"	-	1
Cooling	Fan	1 (9 cm 44.6 CFM)	
	Air Filters	Yes	
I/O Interface	USB	2 (Front accessible), 2 (Rear accessible)	
Miscellaneous	LED Indicators	Power, HDD, Temp, Fan	
	Front Panel	Reset button, Power switch	
	Rear Panel	Reserved four 9-pin D-Sub openings, 25-pin opening, DVI opening, dual USB ports	
Intelligent System Module Remote Monitoring	CPU/System fan speed, CPU/System temperature, motherboard voltage (Only selected Advantech MBs/CPU cards with SUSIAccess installed can fully enable these functions, check with Advantech local rep. for detailed information.)		
Environment	Temperature	Operating 0 ~ 40° C (32 ~ 104° F)	Non-operating -20 ~ 60° C (-4 ~ 140° F)
	Humidity	10 ~ 85% @ 40° C, non-condensing	10 ~ 95% @ 40° C, non-condensing
	Vibration (5-500 Hz)	1 Grms	2 G
	Shock	10 G (with 11 ms duration, half sine wave)	30 G
Physical Characteristics	Dimensions (W x H x D)	150 x 222 x 270 mm ( 5.9" x 8.74" x 10.63")	
	Weight	4.4 kg (9.7 lb)	

### Front View

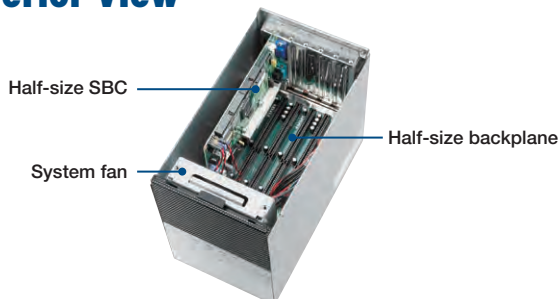


### Rear View



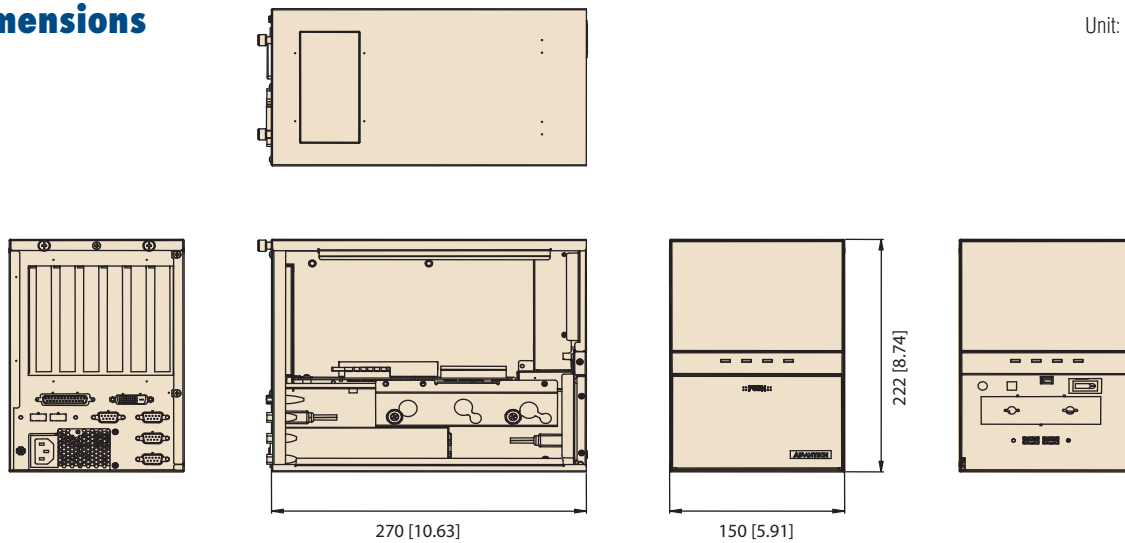
Note: Hot swap drive bay module should be bought separately.

### Interior View

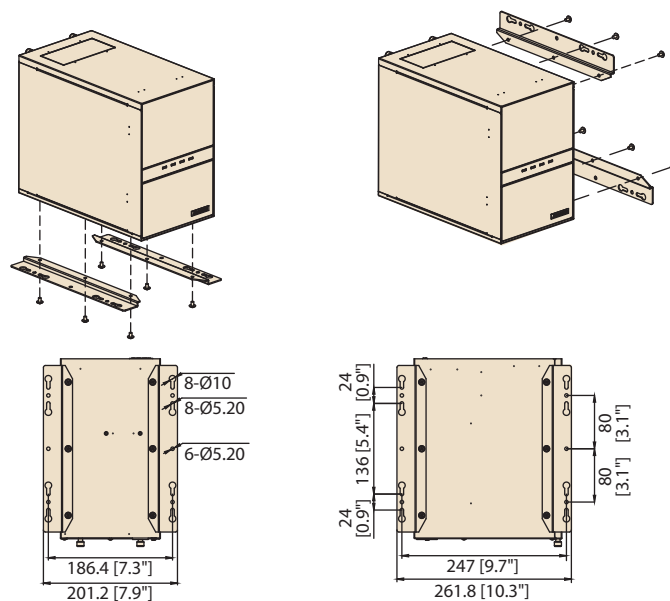


## Dimensions

Unit: mm [inch]



## Installation



## Ordering Information

Part Number	Power Supply	Wattage	Type	Input
IPC-3026BP-15ZE	96PS-A150WFX-1	150W	Single	AC 100 ~ 240 V ( full range )

## Optional Accessories

Ordering P/N	Description
IPC-DT-3120E	Mobile rack for dual 2.5" SATA HDDs with a 3.5" drive bay occupancy

## Backplane Options

Part Number	ISA	PCI	PClex16	PClex8	PClex4	PClex1	PICMG
<b>PICMG 1.0</b>							
PCA-6106-0B2E	5	-	-	-	-	-	1
PCA-6105P5-0B2E	-	4	-	-	-	1	1
<b>PICMG 1.3</b>							
PCE-3B03-00A1E	-	-	1	-	1	-	1
PCE-3B06-00A1E	-	-	1	-	-	4	1
PCE-3B06-02A1E	-	2	1	-	-	2	1
PCE-3B06-03A1E	-	3	1	-	-	1	1

- Intelligent Video and IoT Sensors **1**
- Intelligent Transportation Platforms **2**
- Intelligent Inspection Systems **3**
- Modular IPCs **4**
- Server-grade IPCs **5**
- Industrial Storages **6**
- Video Wall Controllers **7**
- GPU Servers **8**
- Industrial Motherboards **9**
- Slot SBC & Passive Backplanes **10**
- Compact PCI Platforms **11**
- Industrial Chassis **12**
- Industrial Computer Peripherals **13**
- Industrial Ethernet Solutions **14**

# IPC-6006

## 6-Slot Backplane Card Cage

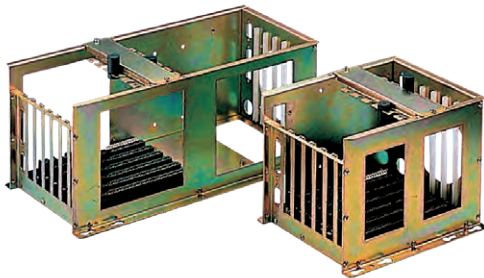


### Features

- Open-frame card cage for embedded system
- Shockproof hold-down clamp design
- Support 6-slots full size and half size SBC
- Support one PS/2 power supply, one 3.5" HDD and one cooling fan

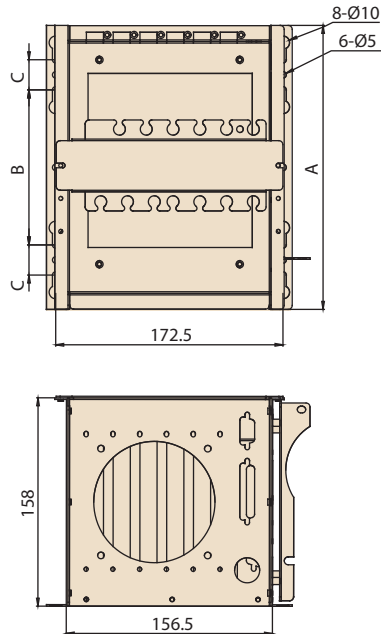
### Specifications

Model Name	IPC-6006	IPC-6006S
Supported Backplanes	PCA-6106-0B2E PCA-6106P3-0D2E PCA-6106P4-0A2E PCA-6105P5-0B2E	PCA-6106-0B2E PCA-6105P5-0B2E
Dimensions (W x H x D)	158 x 186 x 368 mm (6.2" x 7.3" x 14.5")	158 x 186 x 215 mm (6.2" x 7.3" x 8.4")
Weight	2.2 kg (4.8 lb)	1.6 kg (3.5 lb)



## Dimensions

Unit: mm [inch]



Dimensions		
	IPC-6006	IPC-6006S
A	368	215.34
B	270	117.54
C	24	22.86

## Ordering Information

Part Number	Description
IPC-6006-BAREE	Full-size card cage without backplane
IPC-6006S-BAREE	Half-size card cage without backplane

## Passive Backplane Options

Part Number	Slot	Segment
PCA-6106-0B2E	6 ISA	Single
PCA-6106P3-0D2E	2 ISA, 2 PCI, 1 PICMG/PCI, 1 PICMG	Single
PCA-6106P4-0A2E	4 PCI, 2 PICMG	Single
PCA-6105P5-0B2E	5 PCI	Single

- Intelligent Video and IoT Sensors **1**
- Intelligent Transportation Platforms **2**
- Intelligent Inspection Systems **3**
- Modular IPCs **4**
- Server-grade IPCs **5**
- Industrial Storages **6**
- Video Wall Controllers **7**
- GPU Servers **8**
- Industrial Motherboards **9**
- Slot SBC & Passive Backplanes **10**
- CompactPCI Platforms **11**
- Industrial Chassis **12**
- Industrial Computer Peripherals **13**
- Industrial Ethernet Solutions **14**

# IPC-6806

## 6-Slot Desktop/Wallmount Compact Chassis for Full/Half-Sized Slot SBC



CE FCC

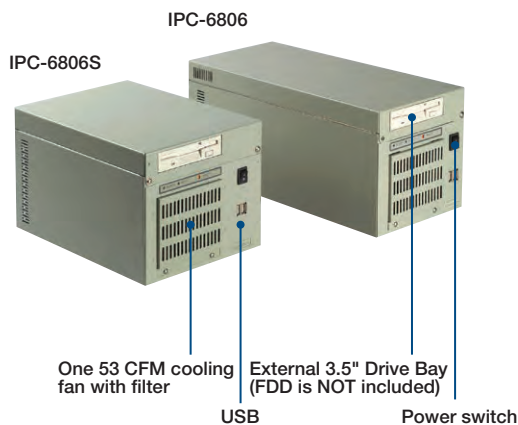
### Features

- Three models with different sizes to support various industrial applications
  - IPC-6806S supports 6-slot PICMG 1.0/1.3 backplane
  - IPC-6806 supports 6-slot PICMG 1.0 backplane
  - IPC-6806W supports 6-slot PICMG 1.0/1.3 backplane
- Supports 6-slot backplanes
- Streamlined filtered airflow

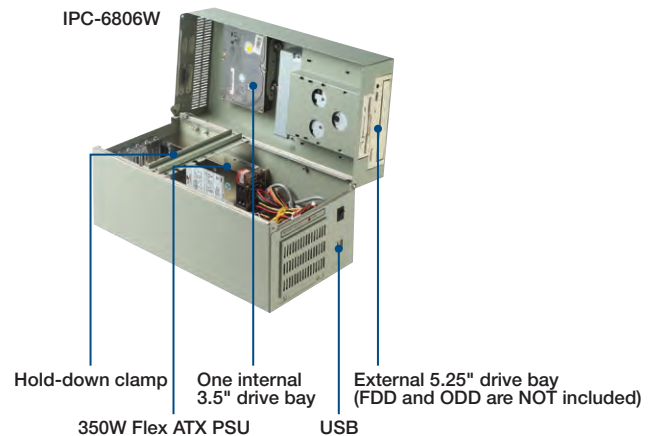
### Specifications

Model Name		IPC-6806S	IPC-6806	IPC-6806W
CPU Card Form Factor		Half-sized PICMG 1.0/1.3	Full-sized PICMG 1.0	Full-sized PICMG 1.0/1.3
Drive Bay	5.25"	-	-	1
	External 3.5"	1 (not support IPC-DT-3120E)	1	1
	Internal 3.5"	1	1	1
Cooling	Fan	1 (9cm / 53 CFM)	1 (9cm / 53 CFM)	1 (9cm / 58 CFM)
	Air Filter	Yes	Yes	Yes
Front I/O Interface	USB 2.0	2	2	2
Miscellaneous	LED Indicators	Power and HDD		
	Control	Power switch and system reset buttons		
Environment	Operating Temperature	0 ~ 40° C (32 ~ 104° F)		Non-Operating -20 ~ 60° C (-4 ~ 140° F)
	Humidity	10 ~ 85% @ 40° C, non-condensing		10 ~ 95% @ 40° C, non-condensing
	Vibration (5 ~ 500 Hz)	0.5 Grms		2 G
	Shock	10 G (with 11 ms duration, half sine wave)		30 G
	Physical Characteristics	Dimensions (W x H x D)	191 x 178 x 290 mm (7.5" x 7.01" x 11.42")	166 x 178 x 398 mm (6.54" x 7.01" x 15.67")
	Weight	5.6 kg (12.3 lb)	6.3 kg (13.9 lb)	8 kg (17.6 lb)

### Front View



### Inside View





# IPC-6806S-D

## 6-Slot Desktop/Wallmount Compact Chassis for Half-Sized Slot SBC



### Features

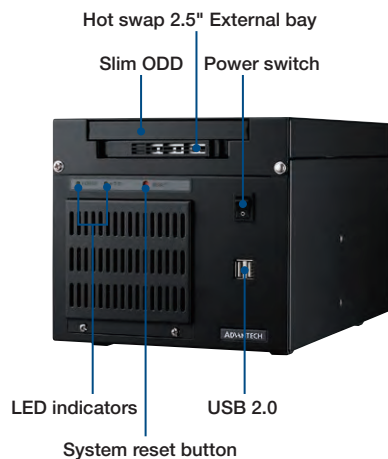
- One Hot-swap 2.5" drive bay
- Two front accessible USB 2.0 ports
- Support 6-slot PICMG 1.3/1.0 backplane
- Easy maintain system fan and filter

CE FCC

### Specifications

Model Name	IPC-6806S		
CPU Card Form Factor	Half-sized		
Drive Bay	External Slim ODD port	1	
	Internal 3.5"	1	
	Hot-Swap drive bay	1 (only for HDD thickness with 9.6 mm / SAS not supported)	
Cooling	Fan	1 (9cm / 53 CFM)	
	Air Filter	Yes	
Front I/O Interface	USB 2.0	2	
Miscellaneous	LED Indicators	Power and HDD	
	Control	Power switch and system reset buttons	
Environment	Operating Temperature	0 ~ 40° C (32 ~ 104° F)	Non-Operating -20 ~ 60° C (-4 ~ 140° F)
	Humidity	10 ~ 85% @ 40° C, non-condensing	10 ~ 95% @ 40° C, non-condensing
	Vibration (5 ~ 500 Hz)	0.5 Grms	2 G
	Shock	10 G (with 11 ms duration, half sine wave)	30 G
	Physical Characteristics	Dimensions (W x H x D)	191 x 178 x 290 mm (7.5" x 7.01" x 11.42")
	Weight	5.6 kg (12.3 lb)	

### Front View

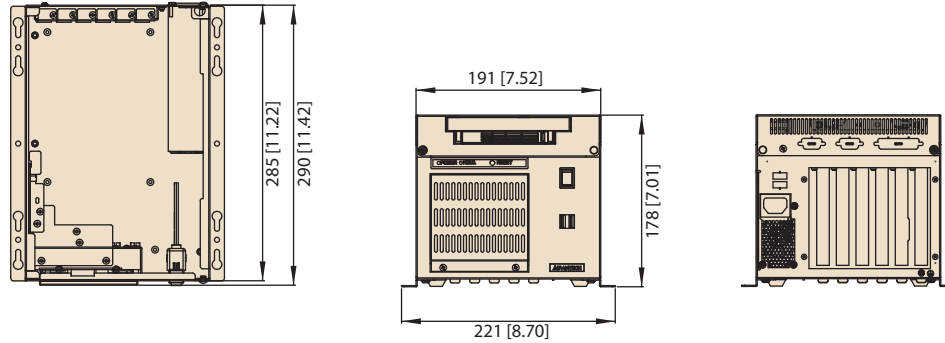


### Inside View



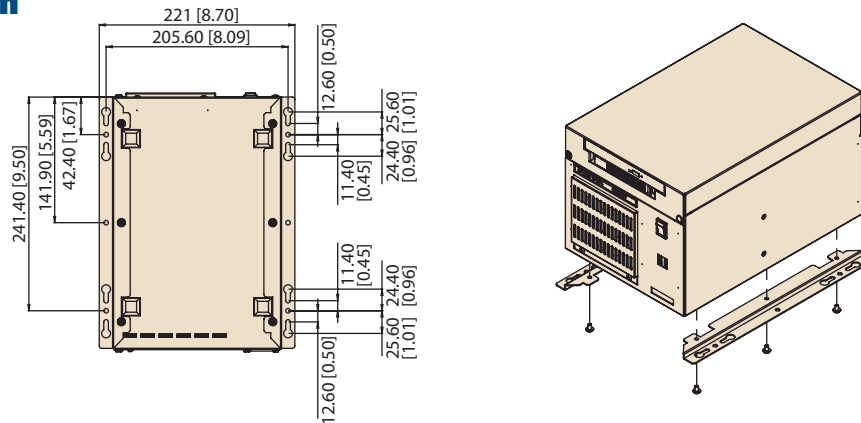
**Dimensions**

Unit: mm [inch]



**Installation**

Unit: mm [inch]



**Ordering Information**

Part Number	Color	CPU Card Form Factor	Power Supply Wattage	Backplane	Switch
IPC-6806S-25DE	Black	Half-sized	250W	-	ATX

**Power Supply Specification**

Part Number	80 Plus Grade	Wattage	Type	Input
PS8-250FATX-XE	Bronze	250W	Single	AC100~240V (full-range)

- Intelligent Video and IoT Sensors **1**
- Intelligent Transportation Platforms **2**
- Intelligent Inspection Systems **3**
- Modular IPCs **4**
- Server-grade IPCs **5**
- Industrial Storages **6**
- Video Wall Controllers **7**
- GPU Servers **8**
- Industrial Motherboards **9**
- Slot SBC & Passive Backplanes **10**
- CompactPCI Platforms **11**
- Industrial Chassis **12**
- Industrial Computer Peripherals **13**
- Industrial Ethernet Solutions **14**

# IPC-6606/6608

## 6/8-Slot Desktop/Wallmount Chassis



### Features

- Support 6/8-slot PICMG 1.0 / PICMG 1.3 backplane
- Shockproof drive bay for 5.25" ODD and 3.5" HDD
- Two front access USB ports
- Bidirectional to mount chassis on wall or workbench
- Easy maintain system fan and filter

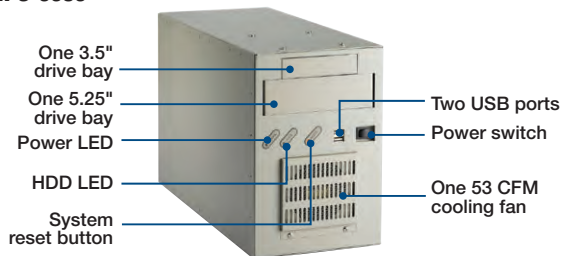
CE FCC

### Specifications

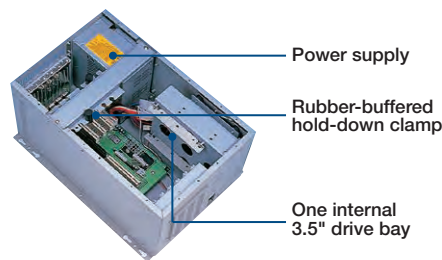
Model Name		IPC-6606	IPC-6608
Drive Bay	5.25"	1	2
	3.5"	2 (1 front-accessible, 1 internal)	1
Front I/O Interface	USB 2.0	2	2
Cooling	Fan	1 (9 cm / 53 CFM)	1 (12 cm / 85 CFM)
	Air Filter	Yes	
Miscellaneous	LED Indicators	Power and HDD	
	Control	Power switch and reset button	
Environment	Temperature	0 ~ 40° C (32 ~ 104° F), operating	
	Humidity	10 ~ 85% @ 40° C, non-condensing	
Physical Characteristics	Dimensions (W x H x D)	173 x 254 x 396 mm (6.8" x 10" x 15.6")	173 x 315 x 410 mm (6.8" x 12.4" x 16.1")
	Weight	9 kg (19.8 lb)	11 kg (24.2 lb)

### Front View

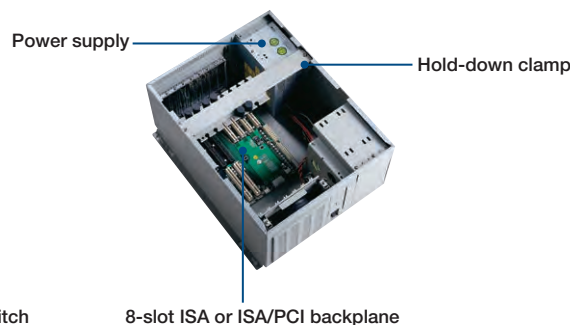
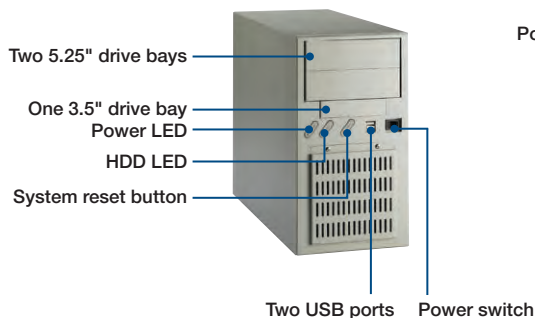
#### IPC-6606



### Inside View



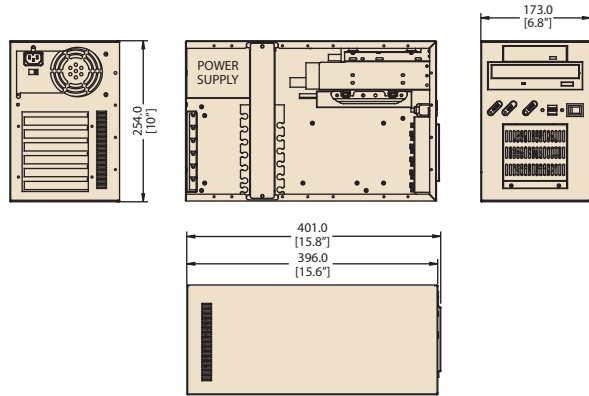
#### IPC-6608



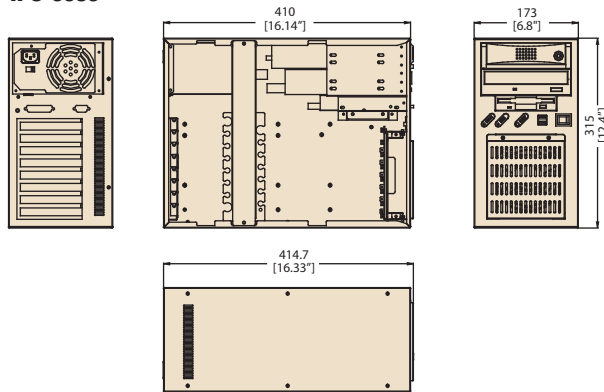
## Dimensions

Unit: mm [inch]

### IPC-6606



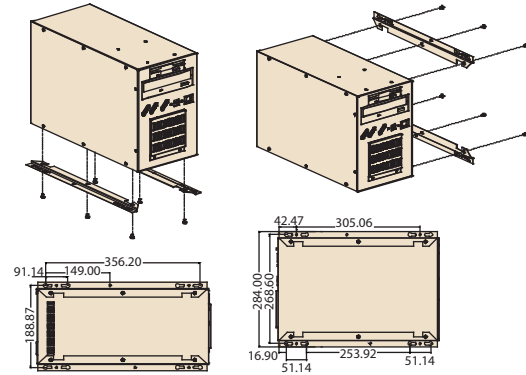
### IPC-6608



## Installation

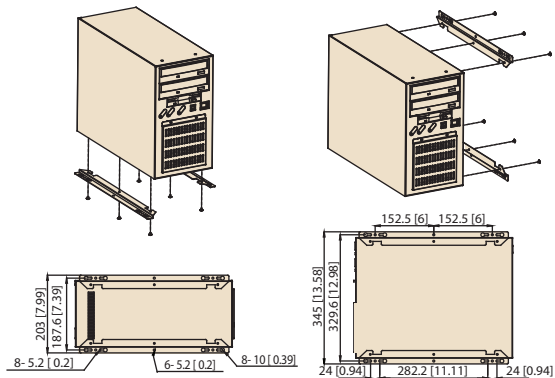
Unit: mm [inch]

### IPC-6606



Bidirectional mounting

### IPC-6608



## Ordering Information

Part Number	Power Supply	Backplane	Switch
<b>IPC-6606</b>			
IPC-6606BP-00XE	-	-	AT/ATX
IPC-6606P3-25BE	96PS-A250WPS2	PCA-6106P3-0D2E	AT
IPC-6606P3-30CE	96PS-A300WPS2	PCA-6106P3-0D2E	ATX
<b>IPC-6608</b>			
IPC-6608BP-00E	-	-	AT/ATX
IPC-6608BP-25BE	96PS-A250WPS2		ATX
IPC-6608BP-30CE	96PS-A300WPS2		ATX

## Power Supply Options

(For detailed power supply specs, please Refer to Chapter 12)

Part Number	Watts	Specifications	
		Watts	Input
PS8-250ATX-ZE (ATX, PFC)	250W	250W	AC 100 ~ 240 V (full-range)
PS8-300ATX-ZBE (ATX, PFC)	300W	300W	AC 100 ~ 240 V (full-range)
PS8-400ATX-ZE (ATX, PFC)	400W	400W	AC 100 ~ 240 V (full-range)

## Optional Accessories

Part Number	Description
IPC-DT-3120E	Mobile rack for converting a 3.5" drive bay to dual 2.5" SATA HDD trays
IPC-DT-5230E	Mobile rack for converting dual 5.25" drive bays to three 3.5" SAS/SATA HDD trays

Intelligent Video and IoT Sensors	1
Intelligent Transportation Platforms	2
Intelligent Inspection Systems	3
Modular IPCs	4
Server-grade IPCs	5
Industrial Storages	6
Video Wall Controllers	7
GPU Servers	8
Industrial Motherboards	9
Slot SBC & Passive Backplanes	10
CompactPCI Platforms	11
Industrial Chassis	12
Industrial Computer Peripherals	13
Industrial Ethernet Solutions	14

# IPC-7132

## Cost-effective Wallmount Chassis for ATX/mATX Motherboard and 10-slot Backplane



### Features

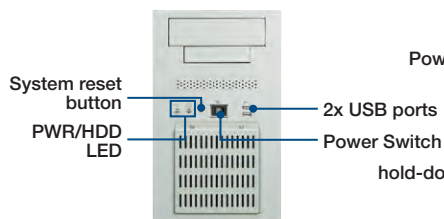
- Support ATX/mATX M/B and 10-slot PICMG 1.3 backplane
- Shockproof drive bay for one 5.25" ODD and three 3.5" HDDs
- Thumb-screw for top cover easy opening
- Bidirectional option to mount chassis on wall or workbench
- Two front access USB ports

CE FCC

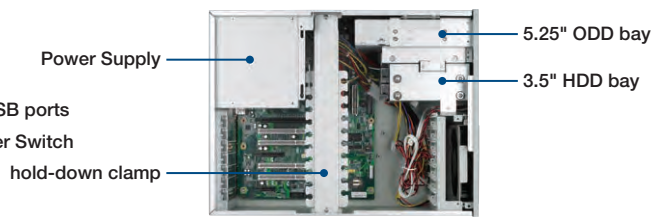
### Specifications

		External	Internal
Disk Drive Bay	3.5"	1	2
	5.25"	1	-
Cooling	Fan	1 (12 cm/85 CFM)	
	Air Filters	Yes	
Front I/O interface	USB 2.0	2	
Miscellaneous	LED Indicators	Power, HDD	
	Control	Power Switch, System Reset Button	
	Rear panel	4x USB, 2x DB-9, 1x LPT port	
Environment	Temperature	Operating 0 ~ 40° C (32 ~ 104° F)	Non-operating -20 ~ 60° C (-4 ~ 140° F)
	Humidity	10 ~ 85 % @ 40° C, non-condensing	
	Vibration (5-500 Hz)	1 Grms	
	Shock	10 G (with 11 ms duration, half sine wave)	
	Dimensions (W x H x D)	200 x 330 x 430 mm (7.9" x 13" x 16.9")	
Physical Characteristics	Weight	9.96 kg (21.93 lb)	

### Front View

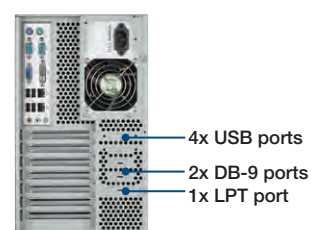


### Inside View



IPC-7132MB

### Rear View



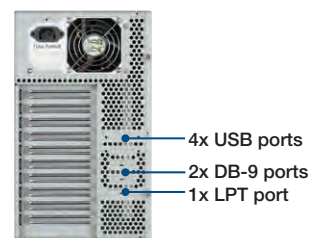
IPC-7132MB



Easy-to-maintain cooling fan

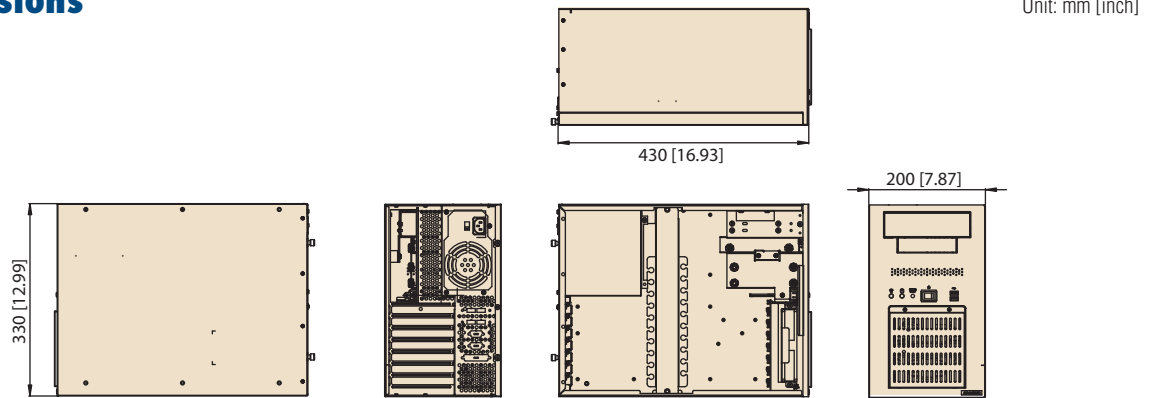


IPC-7132BP

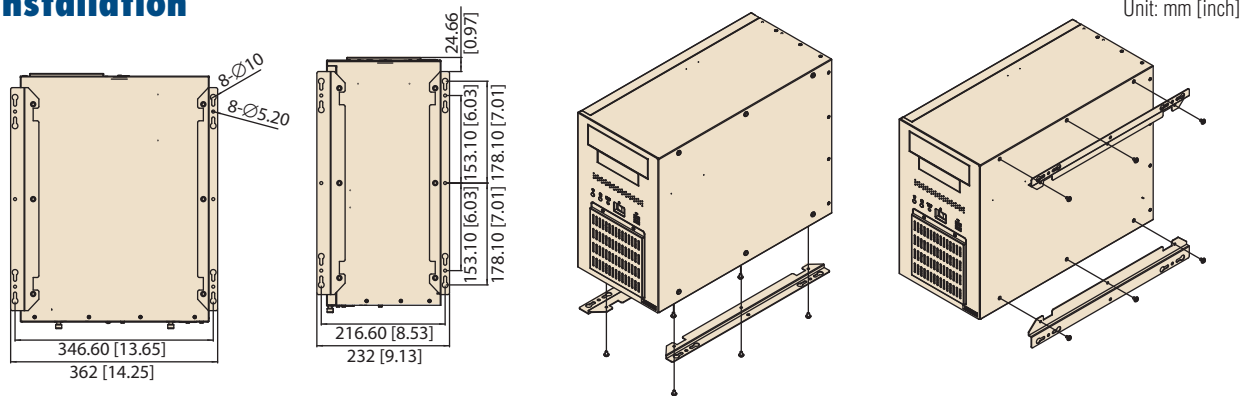


IPC-7132BP

## Dimensions



## Installation



## Ordering Information

Model name	Description
<b>Motherboard Version</b>	
IPC-7132MB-00XE	Without power supply, with ATX switch
<b>Backplane Version</b>	
IPC-7132BP-00XE	Without power supply, with ATX switch

## Power Supply Options

Part Number	80 Plus Grade	Wattage	Type	Input
PS8-300ATX-ZBE	Bronze	300W	Single	AC 100 ~ 240 V (full range)
PS8-400ATX-ZE	Bronze	400W	Single	AC 100 ~ 240 V (full range)

## Optional Accessories

Part Number	Description
IPC-DT-3120E	Mobile HDD tray for dual 2.5" SATA HDDs
1750006427	87.87 CFM, system fan 120 x 120 x 25.0 mm

## Backplane Options

Model	PICMG 1.3	PCIe	PCI-X	PCI
PCE-5B09-06A1E	PICMG 1.3	1 (PCIe x4)	-	6
PCE-5B09-04A1E	PICMG 1.3	3 (PCIe x4)	-	4

- Intelligent Video and IoT Sensors **1**
- Intelligent Transportation Platforms **2**
- Intelligent Inspection Systems **3**
- Modular IPCs **4**
- Server-grade IPCs **5**
- Industrial Storages **6**
- Video Wall Controllers **7**
- GPU Servers **8**
- Industrial Motherboards **9**
- Slot SBC & Passive Backplanes **10**
- Compact PCI Platforms **11**
- Industrial Chassis **12**
- Industrial Computer Peripherals **13**
- Industrial Ethernet Solutions **14**

# IPC-7220

## Desktop/wallmount Chassis for ATX/mATX Motherboard



### Features

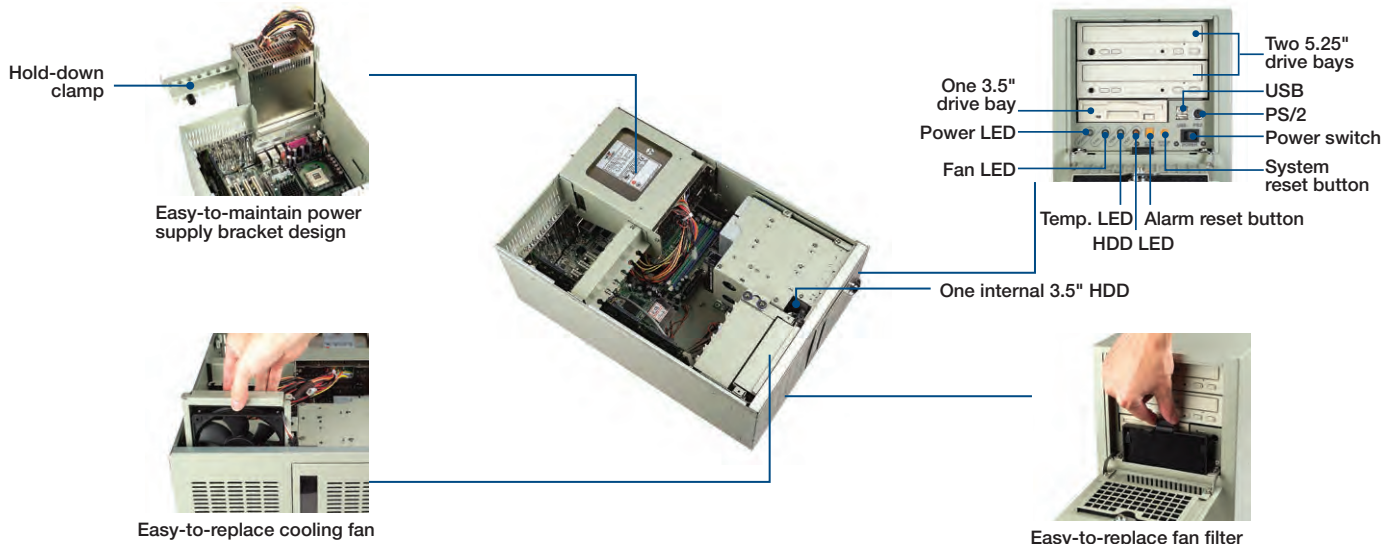
- Two 5.25" and two 3.5" shock-resistant drive bays
- Lockable front door to prevent unauthorized access
- LED indicators and alarm notification for system fault detection
- Easy-to-maintain system fan and air filter
- Low noise system fan
- Built-in Intelligent System Module enables whole system fan control and remote manageability

Quiet

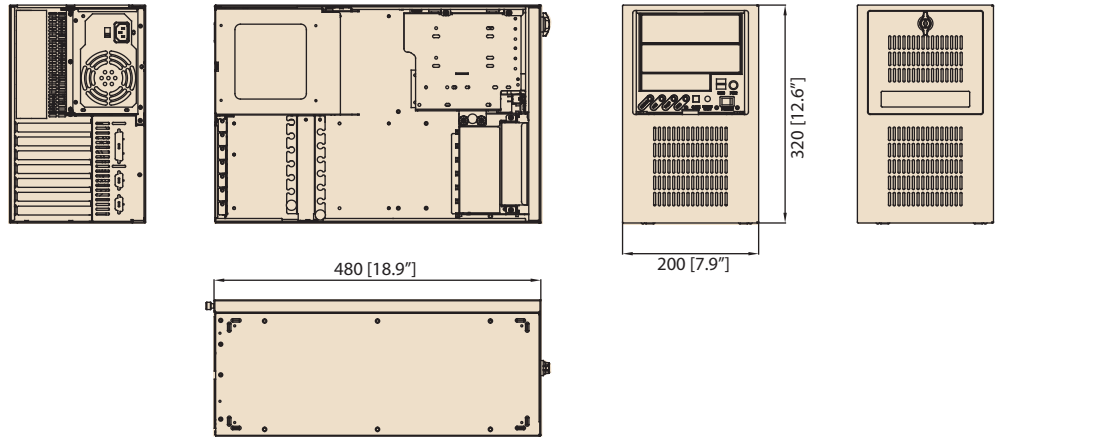
CE FCC

### Specifications

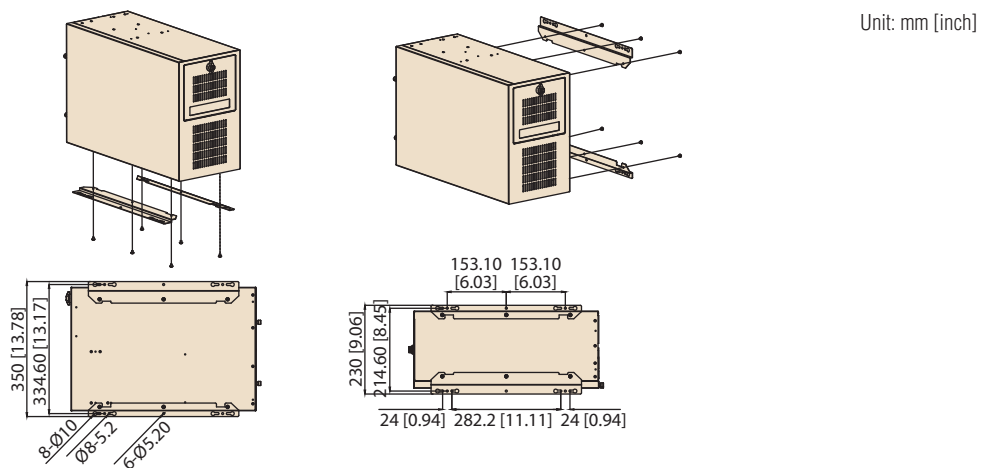
		External	Internal
Drive Bay	5.25"	2	-
	3.5"	1	1
Cooling	Fan	1 (12 cm / 85 CFM)	
	Air Filters	2 (one 7 x 12 cm and one 12 x 12 cm)	
	Smart Fan	System fan speed referring to chassis thermal sensor, or CPU temperature (Available with selected Advantech MBs/CPU cards)	
Front I/O Interface	USB 2.0	2	
	PS/2	PS/2 keyboard and mouse, or PS/2 keyboard depends on the enclosed motherboard	
Miscellaneous	LED Indicators	Power, HDD, temperature and fan	
	Control	Power switch, system reset and alarm reset buttons	
	Rear Panel	Reserved Two 9-pin D-Sub openings, one LPT opening	
Intelligent System Module Remote Monitoring	CPU/System fan speed , CPU/System temperature , motherboard voltage (Only selected Advantech MBs/CPU cards with SUSIAccess installed can fully enable these functions, check with Advantech local rep. for detailed information.)		
Environmental	Temperature	Operating 0 ~ 40° C (32 ~ 104° F)	Non-Operating -20 ~ 60° C (-4 ~ 140° F)
	Humidity	10 ~ 85% @ 40° C, non-condensing	
	Vibration (5 ~ 500 Hz)	1 Grms	2 G
	Shock	10 G (with 11 ms duration, half sine wave)	30 G
	Physical Characteristics	Dimensions (W x H x D)	200 x 320 x 480 mm (7.9" x 12.6" x 18.9")
	Weight	14 kg (30.8 lb)	



## Dimensions



## Installation



## Ordering Information

Model Name	Description
IPC-7220-00BE	Without power supply, with ATX switch
IPC-7220-30BE	With 300W power supply and ATX switch
IPC-7220-40BE	With 400W power supply and ATX switch

## Optional Accessories

Part Number	Description
IPC-DT-3120E	Mobile rack for converting a 3.5" drive bay to dual 2.5" SATA HDD trays
IPC-DT-5230E	Mobile rack for converting dual 5.25" drive bays to three 2.5" or 3.5" SAS/SATA HDD trays

## Power Supply Options

Part Number	80 Plus Grade	Wattage	Type	Input
PS8-300ATX-ZBE	Bronze	300W	Single	AC 100 ~ 240 V (full-range)
PS8-400ATX-ZE	Bronze	400W	Single	AC 100 ~ 240 V (full-range)
RPS8-350ATX-XE	Gold	350W	1+1 Redundant	AC 100 ~ 240V (full range)
RPS8-500ATX-XE	Bronze	500W	1+1 Redundant	AC 100 ~ 240V (full range)

Intelligent Video and IoT Sensors	1
Intelligent Transportation Platforms	2
Intelligent Inspection Systems	3
Modular IPCs	4
Server-grade IPCs	5
Industrial Storages	6
Video Wall Controllers	7
GPU Servers	8
Industrial Motherboards	9
Slot SBC & Passive Backplanes	10
CompactPCI Platforms	11
Industrial Chassis	12
Industrial Computer Peripherals	13
Industrial Ethernet Solutions	14

# IPC-5120/7120

Desktop/Wallmount Chassis with front I/O Interfaces for ATX/mATX Motherboard



IPC-5120

IPC-7120

CE FCC

## Features

- With front I/O interface and four to seven expansion slots
- Shockproof drive bay for one 5.25" ODD and two 3.5" HDDs
- LED indicators for power status and HDD activity
- Support four to seven half-size add-on cards

## Specifications

		External	Internal
Drive Bay	5.25"	1	-
	3.5"	1	1
Cooling	Fans	1 (12 cm / 85 CFM) + 1 (4 cm / 10 CFM)	
	Air Filter	Yes	
Miscellaneous	LED Indicators	Power status and HDD activity	
	Control	Power switch and system reset button	
Environment	Temperature	Operating 0 ~ 40° C (32 ~ 104° F)	Non-Operating -20 ~ 60° C (-4 ~ 140° F)
	Humidity	10 ~ 85% @ 40° C, non-condensing	
	Vibration (5 ~ 500 Hz)	1 Grms	2 G
	Shock	10 G (with 11 ms duration, half sine wave)	30 G
	Physical Characteristics	Dimensions (W x H x D)	IPC-5120: 320 x 164 x 316.5 mm (12.6" x 6.5" x 12.5") IPC-7120: 380 x 164 x 316.5 mm (15" x 6.5" x 12.5")
	Weight	IPC-5120: 6.54 kg (14.42 lb) IPC-7120: 7.01 kg (15.45 lb)	

## Front View

### IPC-5120



### IPC-7120



## Inside View



Easy-to-maintain fan filter



Shock-resistant drive bay for holding an internal 3.5" HDD



Plug ring-lock securely fastens the power cord

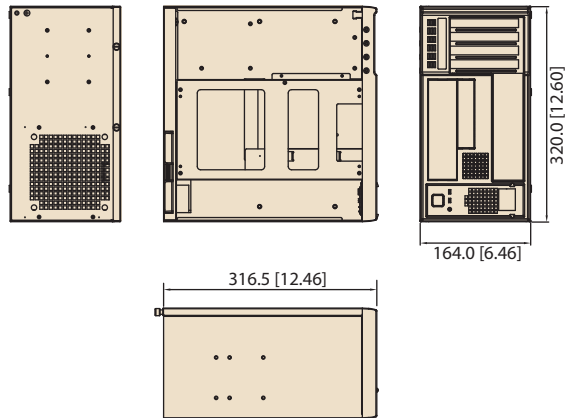


User-friendly mechanical design for installing an add-on card

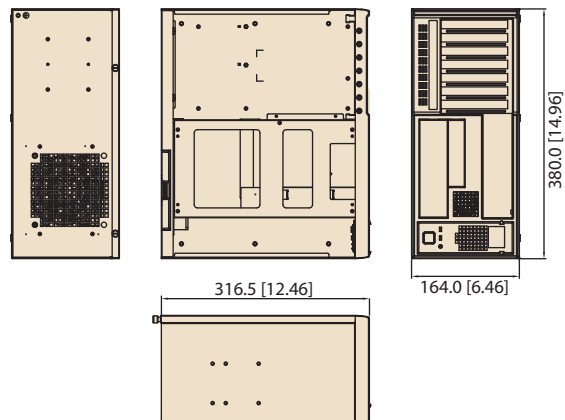
## Dimensions

Unit: mm [inch]

### IPC-5120



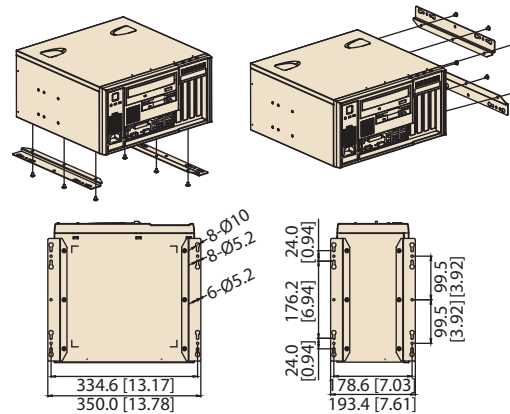
### IPC-7120



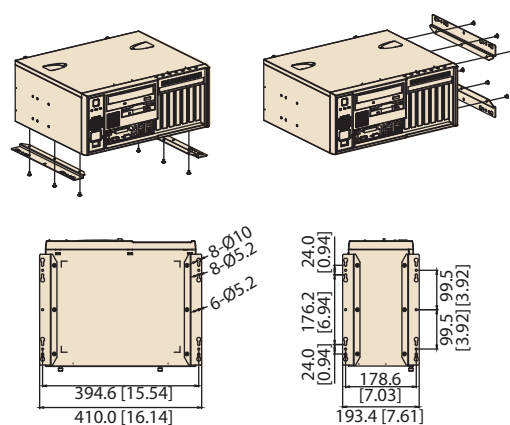
## Installation

Unit: mm [inch]

### IPC-5120



### IPC-7120



## Ordering Information

Part Number	Power Supply	Wattage	Switch
<b>IPC-5120 Series</b>			
IPC-5120-25CE	96PS-A250WFX-1	250W	ATX
IPC-5120-35CE	96PS-A350WFX-2	350W	ATX
<b>IPC-7120 Series</b>			
IPC-7120-25CE	96PS-A250WFX-1	250W	ATX
IPC-7120-35CE	96PS-A350WFX-2	350W	ATX

## Power Supply Specification

Part Number	80 Plus Grade	Wattage	Type	Input
PS8-250FATX-XE	Bronze	250W	Single	AC 100~240V (full range)
PS8-350FATX-XE	Bronze	350W	Single	AC 100~240V (full range)

Intelligent Video and IoT Sensors	1
Intelligent Transportation Platforms	2
Intelligent Inspection Systems	3
Modular IPCs	4
Server-grade IPCs	5
Industrial Storages	6
Video Wall Controllers	7
GPU Servers	8
Industrial Motherboards	9
Slot SBC & Passive Backplanes	10
CompactPCI Platforms	11
Industrial Chassis	12
Industrial Computer Peripherals	13
Industrial Ethernet Solutions	14

# IPC-6025

## 5-Slot Desktop/Wallmount Chassis with Scalability as 5U Quad-System Solution



### Features

- Front handle for easy withdraw in rackmount carrier
- Lockable front door prevent unauthorized access
- Shockproof drive bay for two 3.5" HDDs
- LED indicators for system fault detection
- Optional rackmount carrier for quad-system solution
- Built-in Intelligent System Module enabling whole system fan control and remote manageability

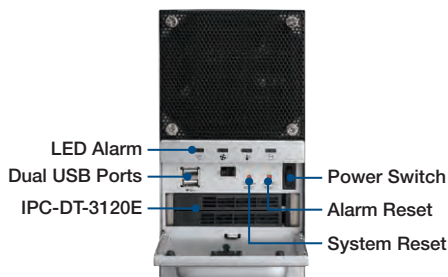


CE FCC

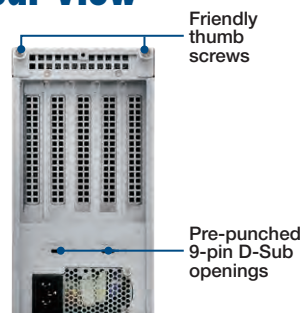
### Specifications

Drive Bay	3.5"	External 1	Internal 1
Cooling	Fan	1 (9 cm / 46.6 CFM)	
	Air Filters	Yes	
Front I/O Interface	USB 2.0	2	
Miscellaneous	LED Indicators	Power, fan, temperature, HDD	
	Control	Power switch and system reset buttons	
	Rear Panel	Reserved Two 9-pin D-Sub openings	
Intelligent System Module Remote Monitoring	CPU/System fan speed , CPU/System temperature , motherboard voltage (Only selected Advantech MBs/CPU cards with SUSIAccess installed can fully enable these functions, check with Advantech local rep. for detailed information.)		
Environment	Temperature	Operating 0 ~ 40° C (32 ~ 104° F)	Non-operating -20 ~ 60° C (-4 ~ 140° F)
	Humidity	10 ~ 85% @ 40° C, non-condensing	
	Vibration (5 ~ 500 Hz)	1 Grms	2 G
	Shock	10 G (with 11 ms duration, half sine wave)	30 G
	Physical Characteristics	Dimensions (W x H x D)	111 x 212 x 420 mm (4.4" x 8.3" x 16.5")
	Weight	4.7 kg (10.3 lb)	

### Front View



### Rear View

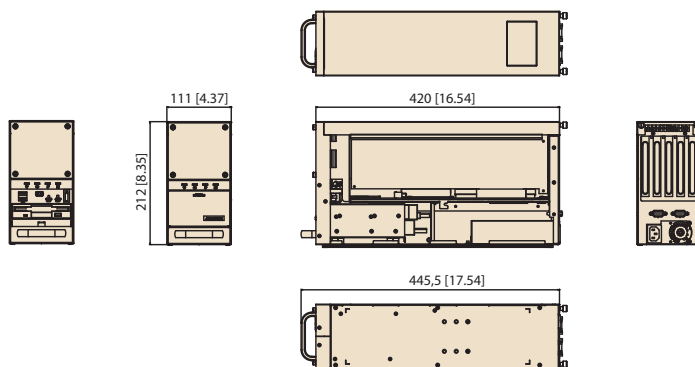


4 IPC-6025 combined as a 5U quad-system rackmount IPC

Note: Hot swap drive bay module should be bought separately.

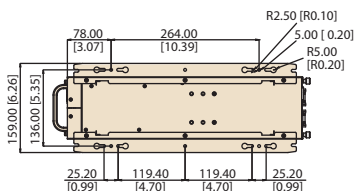
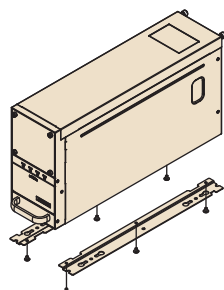
## Dimensions

Unit: mm [inch]



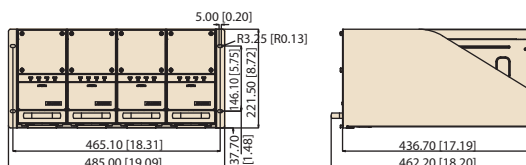
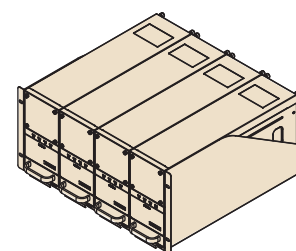
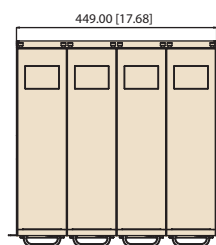
## Installation

### Single System



### Quad System

Unit: mm [inch]



## Ordering Information

Part number	Power Supply	80 Plus Grade	Wattage	Type	Input	Switch type
IPC-6025BP-27ZE	96PS-A270WFX	White	270W	Single	AC 100 – 240V (Full Range)	AT Switch

## Optional Accessories

Ordering P/N	Description
9892602501E	Rackmount carrier for Quad System solution
IPC-DT-3120E	Mobile rack for dual 2.5" SATA HDDs

## Backplane Options

Model	PICMG 1.3/1.0	PCIe	PCI-X	PCI	ISA	PCI/ISA
<b>PCE-5000 Series</b>						
PCE-5B04-20A1E	PICMG 1.3	1 (PCIe x 16)	2	-	-	-
PCE-5B05-02A1E	PICMG 1.3	1 (PCIe x 16) 1 (PCIe x 4)	-	2	-	-
PCE-5B05-03A1E	PICMG 1.3	1 (PCIe x 16)	-	3	-	-
PCE-5B05-04A1E	PICMG 1.3	-	-	4	-	-
<b>PCE-7000 Series</b>						
PCE-7B05-20A1E	PICMG 1.3	2 (PCIe x 8)	2	-	-	-
PCA-6106P4-0A2E	PICMG 1.0	-	-	2	1	1

Intelligent Video and IoT Sensors 1

Intelligent Transportation Platforms 2

Intelligent Inspection Systems 3

Modular IPCs 4

Server-grade IPCs 5

Industrial Storages 6

Video Wall Controllers 7

GPU Servers 8

Industrial Motherboards 9

Slot SBC & Passive Backplanes 10

Compact PCI Platforms 11

Industrial Chassis 12

Industrial Computer Peripherals 13

Industrial Ethernet Solutions 14

# IPC-5122

## Desktop/Wallmount Chassis for MicroATX Motherboard



### Features

- Shockproof drive bay for slim ODD and 3.5" or 2.5" HDD
- Lockable front door prevent unauthorized access
- LED indicators for system fault detection
- Easy-to-maintain system fan and reusable air filter
- Built-in Intelligent System Module enabling whole system fan control and remote manageability

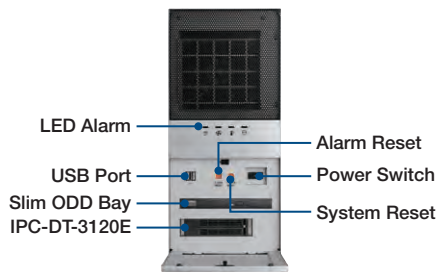
Quiet

CE FCC

### Specifications

		External	Internal
Drive Bay	Slim Optical Drive	1	-
	3.5"	1	1
Cooling	Fan	1 (12 cm / 85 CFM)	
	Air Filter	Yes	
Front I/O Interface	USB 2.0	2 ( Front accessible)	
Miscellaneous	LED Indicators	Power, HDD, fan and temperature	
	Control	Power switch, alarm reset and system reset buttons	
	Rear Panel	Six 9-pin D-Sub openings	
Intelligent System Module Remote Monitoring	CPU/System fan speed , CPU/System temperature , motherboard voltage (Only selected Advantech MBs/CPU cards with SUSIAccess installed can fully enable these functions, check with Advantech local rep. for detailed information.)		
Environment	Temperature	Operating 0 ~ 40° C (32 ~ 104° F)	Non-Operating -20 ~ 60° C (-4 ~ 140° F)
	Humidity	10 ~ 85% @ 40°C, non-condensing	
	Vibration (5 ~ 500 Hz)	1 Grms	2 G
	Shock	10 G (with 11 ms duration, half sine wave)	30 G
Physical Characteristics	Dimensions (W x H x D)	157 x 360 x 340 mm (6.2" x 14.2" x 13.4")	
	Weight	6.5 kg (14.3 lb)	

### Front View



### Inside View



### Rear View



Note: Hot swap drive bay module and Slim ODD should be bought separately.



Easy-open door

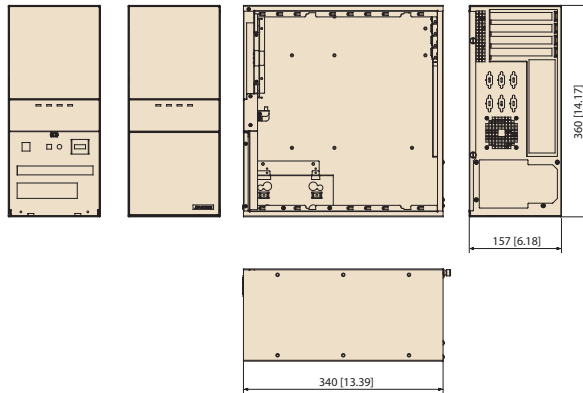


Gently press the hook to pull the air filter out



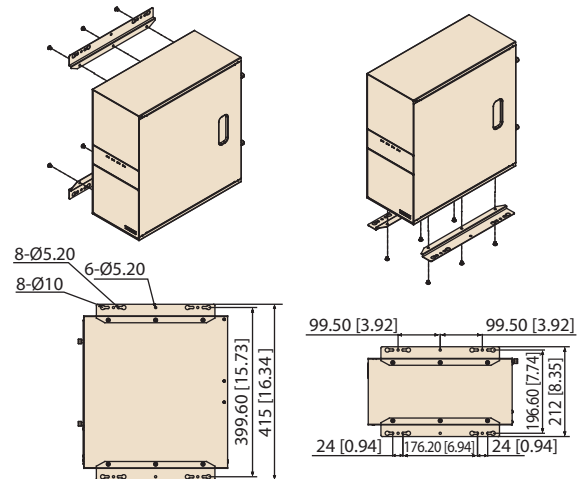
## Dimensions

Unit: mm [inch]



## Installation

Unit: mm [inch]



## Ordering Information

Part Number	Description
IPC-5122-00XE	Without power supply, with ATX switch

## Power Supply Options

(For detailed power supply specs, please refer to Chapter 13)

Part number	80 Plus Grade	Wattage	Type	Input
PS8-300ATX-ZBE	Bronze	300W	Single	AC 100-240V (full-range)
PS8-400ATX-ZE	Bronze	400W	Single	AC 100-240V (full-range)

## Optional Accessories

Part Number	Description
IPC-DT-3120E	Mobile rack for converting a 3.5" drive bay to dual 2.5" SATA HDD trays

Intelligent Video and IoT Sensors	1
Intelligent Transportation Platforms	2
Intelligent Inspection Systems	3
Modular IPCs	4
Server-grade IPCs	5
Industrial Storages	6
Video Wall Controllers	7
GPU Servers	8
Industrial Motherboards	9
Slot SBC & Passive Backplanes	10
CompactPCI Platforms	11
Industrial Chassis	12
Industrial Computer Peripherals	13
Industrial Ethernet Solutions	14

# IPC-7130

## Desktop/Wallmount Chassis for ATX/MicroATX Motherboard with Dual Hot-Swap 3.5" Drive Bays



### Features

- Shockproof drive bays - One 5.25", two hot-swap 3.5" and one internal 3.5"
- Lockable front door prevent unauthorized access
- LED indicators for system fault detection
- Bidirectional to mount chassis on the wall or workbench
- Built-in Intelligent System Module enabling whole system fan control and remote manageability

Quiet

CE FCC

### Specifications

		External	Internal
Disk Drive Bay	5.25"	1	-
	3.5"	-	1
	Hot-Swap	2 ( compatible with 3.5" or 2.5" devices )	-
Cooling	Fan	1 (12 cm/73.8 CFM) + 1 (6 cm/21.2 CFM)	
	Air Filters	Yes	
I/O Interface	USB 2.0	2 (Front accessible)	
Miscellaneous	LED Indicators	Power, fan, temperature, HDD	
	Front Panel	Power, HDD, Temp, Fan	
Intelligent System Module Remote Monitoring	CPU/System fan speed , CPU/System temperature , motherboard voltage (Only selected Advantech MBs/CPU cards with SUSIAccess installed can fully enable these functions, check with Advantech local rep. for detailed information.)		
Environment	Temperature	Operating 0 ~ 40° C (32 ~ 122° F)	Non-operating -20 ~ 60° C (-4 ~ 140° F)
	Humidity	10 ~ 85 % @ 40° C, non-condensing	10 ~ 95 % @ 40° C, non-condensing
	Vibration (5-500 Hz)	0.5 Grms	2 G
	Shock	10 G (with 11 ms duration, half sine wave)	30 G
	Physical Characteristics	Dimensions (W x H x D)	200 x 320 x 480 mm (7.9" x 12.6" x 18.9")
	Weight	12.8 kg (28.2 lb)	

### Rear View

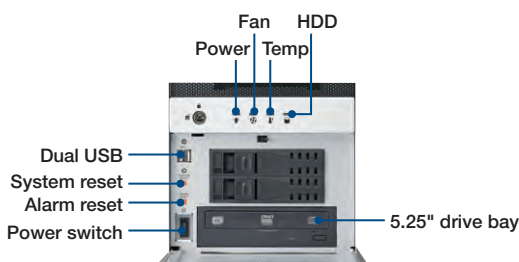
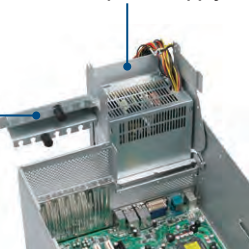


### Inside View



Easy-to-maintain power supply bracket

Hold-down clamp

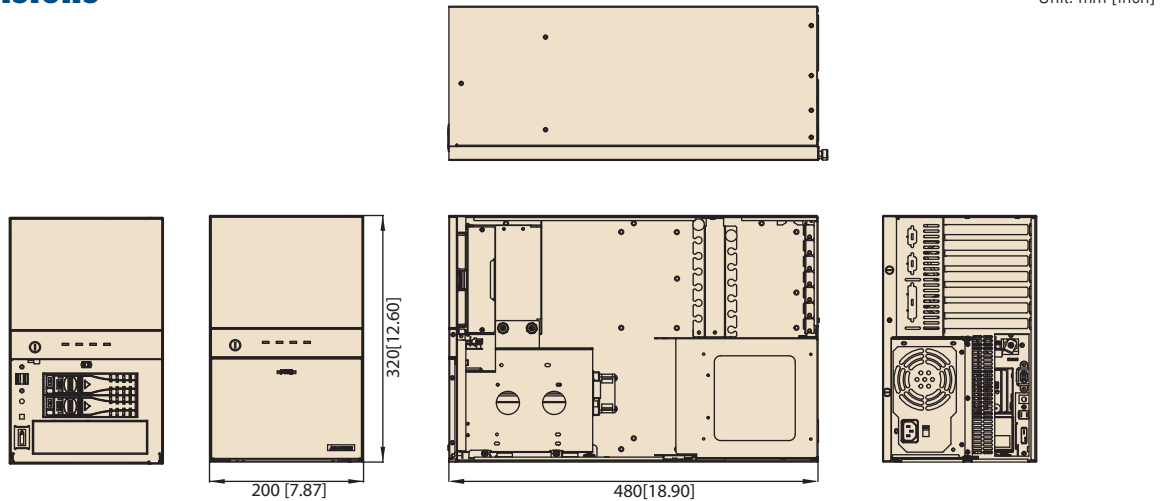


Easy-to-maintain reusable fan filter

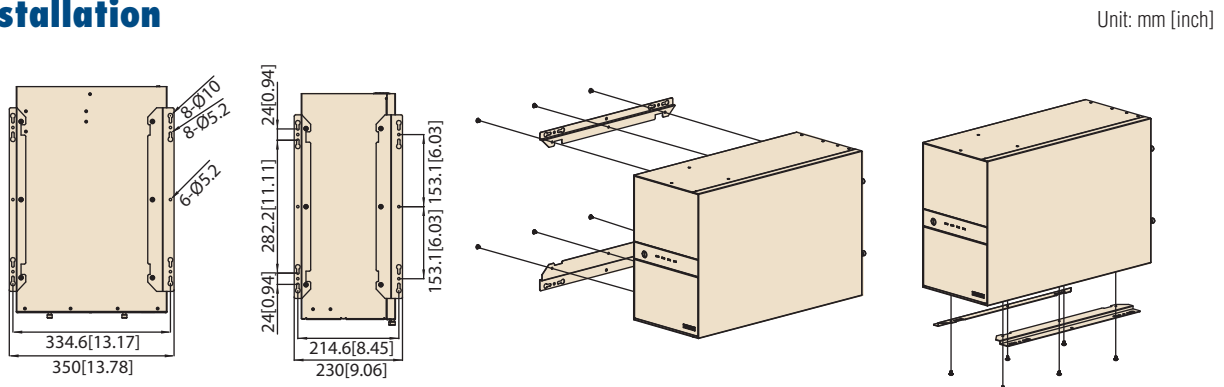


Dual Hot-Swap trays  
(Compatible with both 2.5" and 3.5" devices)

## Dimensions



## Installation



## Ordering Information

Part Number	Power Supply
IPC-7130-00XE	Without power supply, with ATX switch

## Optional Accessories

Part Number	Description
1750006045	73.84 CFM, System fan 120 x 120 x 25 mm
1750006376	21.22 CFM, HDD fan 60 x 60 x 13 mm

## Power Supply Options

Part Number	80 Plus Grade	Wattage	Type	Input
PS8-300ATX-ZBE	Bronze	300W	Single	AC 100 ~ 240V (full range)
PS8-400ATX-ZE	Bronze	400W	Single	AC 100 ~ 240V (full range)
RPS8-350ATX-XE	Gold	350W	1+1 Redundant	AC 100 ~ 240V (full range)
RPS8-500ATX-XE	Bronze	500W	1+1 Redundant	AC 100 ~ 240V (full range)

- Intelligent Video and IoT Sensors 1
- Intelligent Transportation Platforms 2
- Intelligent Inspection Systems 3
- Modular IPCs 4
- Server-grade IPCs 5
- Industrial Storages 6
- Video Wall Controllers 7
- GPU Servers 8
- Industrial Motherboards 9
- Slot SBC & Passive Backplanes 10
- CompactPCI Platforms 11
- Industrial Chassis 12
- Industrial Computer Peripherals 13
- Industrial Ethernet Solutions 14

# IPC-7130L

## Desktop/Wallmount Chassis for ATX/MicroATX Motherboard



### Features

- Stylish design with 7 expansion slots in the rear
- Shock-resistant drive bay holds one 5.25" disk drive and three 3.5" disk drives (two 3.5" HDD trays and one internal 3.5" drive bay)
- Lockable front door prevents unauthorized access
- LED indicators for Power and HDD activity
- Bidirectional options to mount chassis on the wall or workbench

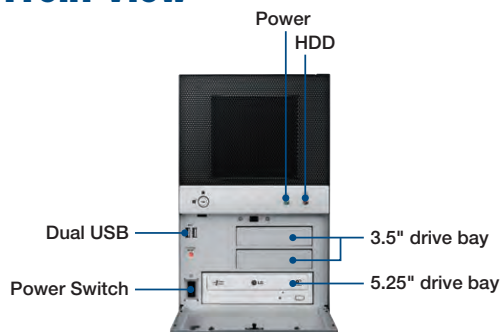
Quiet

CE FCC

### Specifications

		External	Internal
Disk Drive Bay	5.25"	1	-
	3.5"	2 SAS/SATA HDDs	1
Cooling	Fan	1 (12 cm/73.8 CFM) + 1 (6 cm/21.2 CFM)	
	Air Filters	Yes	
I/O Interface	USB 2.0	2 (Front accessible)	
Miscellaneous	LED Indicators	Power, HDD	
	Front Panel	Power, HDD	
Environment	Temperature	Operating 0 ~ 40° C (32 ~ 122° F)	Non-operating -20 ~ 60° C (-4 ~ 140° F)
	Humidity	10 ~ 85 % @ 40° C, non-condensing	
	Vibration (5-500 Hz)	0.5 Grms	
	Shock	10 G (with 11 ms duration, half sine wave)	
	Weight	11.11 kg (24.49 lb)	
Physical Characteristics	Dimensions (W x H x D)	200 x 320 x 480 mm (7.9" x 12.6" x 18.9")	
	Weight	11.11 kg (24.49 lb)	

### Front View



### Rear View

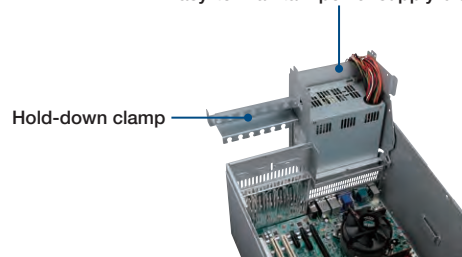


### Inside View



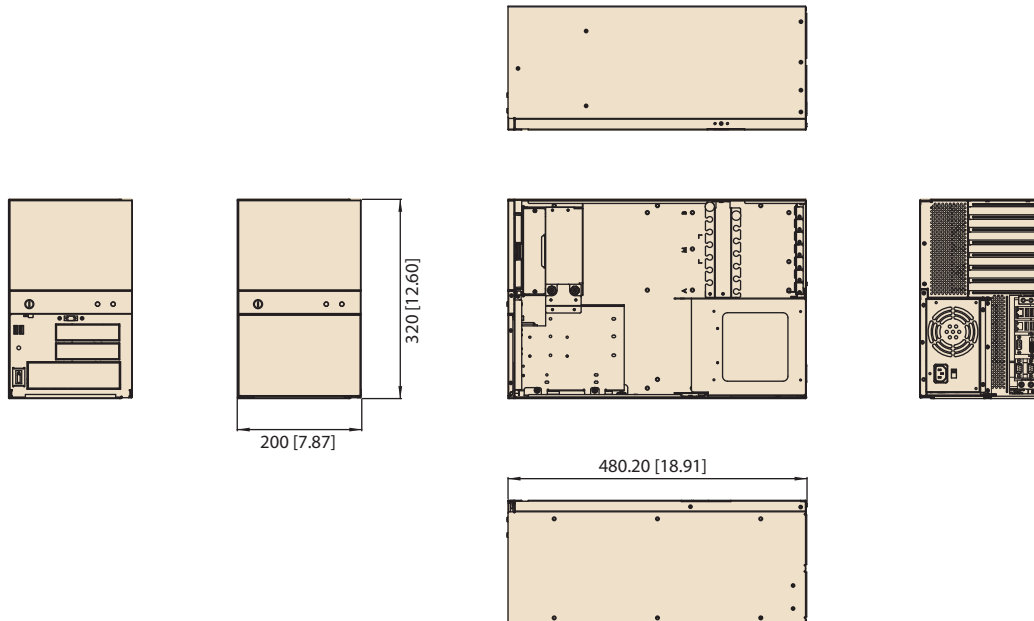
Dual External  
3.5" SAS/SATA HDD trays

Easy-to-maintain power supply bracket



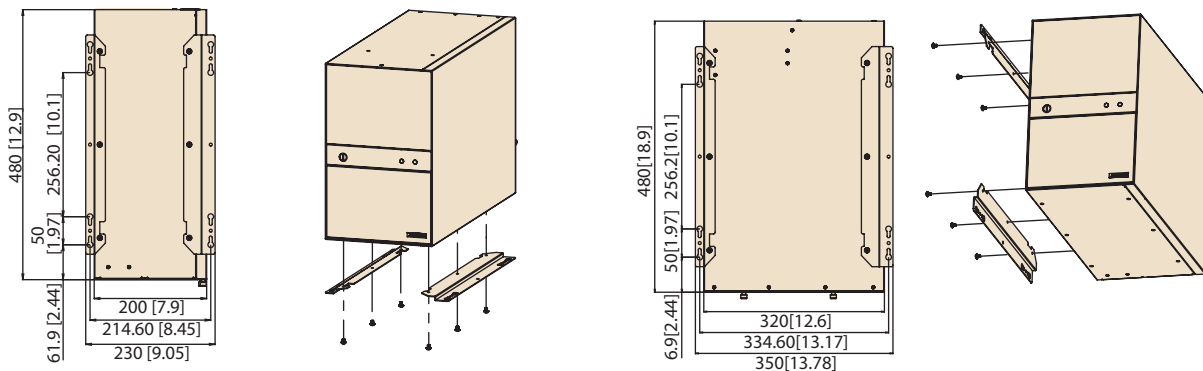
## Dimensions

Unit: mm [inch]



## Installation

Unit: mm [inch]



## Ordering Information

Part Number	Power Supply
IPC-7130L-00XE	W/O PSU , with ATX switch

## Optional Accessories

Part Number	Description
1750006045	73.84 CFM, System fan 120 x 120 x 25 mm
1750006376	21.22 CFM, HDD fan 60 x 60 x 13 mm
IPC-DT-3120E	Mobile rack for converting a 3.5" drive bay to dual 2.5" SATA HDD trays

## Power Supply Options

Part Number	80 Plus Grade	Wattage	Type	Input
PS8-300ATX-ZBE	Bronze	300W	Single	AC 100 ~ 240V (full range)
PS8-400ATX-ZE	Bronze	400W	Single	AC 100 ~ 240V (full range)
RPS8-350ATX-XE	Gold	350W	1+1 Redundant	AC 100 ~ 240V (full range)
RPS8-500ATX-XE	Bronze	500W	1+1 Redundant	AC 100 ~ 240V (full range)

- Intelligent Video and IoT Sensors **1**
- Intelligent Transportation Platforms **2**
- Intelligent Inspection Systems **3**
- Modular IPCs **4**
- Server-grade IPCs **5**
- Industrial Storages **6**
- Video Wall Controllers **7**
- GPU Servers **8**
- Industrial Motherboards **9**
- Slot SBC & Passive Backplanes **10**
- CompactPCI Platforms **11**
- Industrial Chassis **12**
- Industrial Computer Peripherals **13**
- Industrial Ethernet Solutions **14**

# IPC-100

## 1U Compact Fanless System with Intel® Atom™ N450 on Board



### Features

- Elegant, ultra-compact fanless system
- Built-in Intel® Atom™ processor N450 1.66 GHz
- Comprehensive I/O: dual gigabit Ethernet, 8 USB, 3 COM, 1 VGA
- 1 PCI and 1 mini-PCIe expansion slots
- Open frame AC to +12 V<sub>DC</sub> 60 W power supply
- Anti-vibration design for 2.5" HDD-bay to ensure maximum reliability



### Specifications

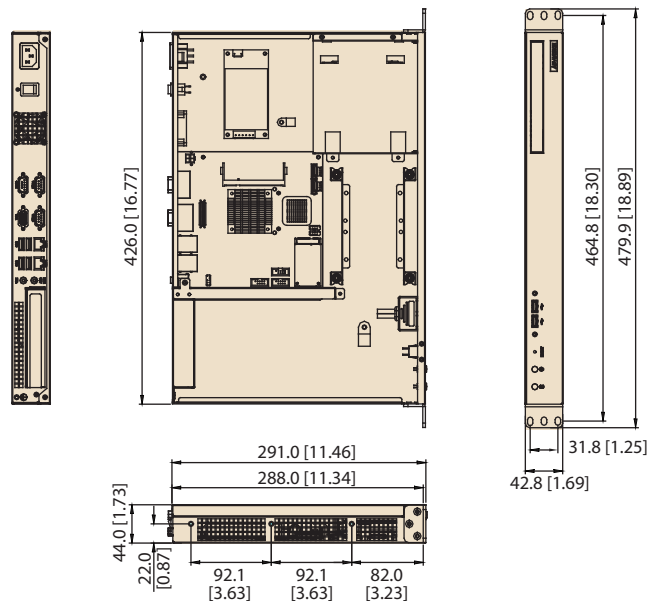
Processor System	CPU	Intel Atom Processor N450 1.66 GHz	
	L2 Cache	512 KB	
	Chipset	ICH8M	
	BIOS	AMI 16 MB SPI	
Memory	Technology	Single Channel DDR2 667MHz	
	Max. Capacity	200-pin SODIMM x1 up to 2 GB	
Expansion Slot	PCI	1 (32-bit/33 MHz) via PCI riser card (P/N: 989KC1000E)	
	Mini-PCIe	1	
Graphics	Chipset	Embedded Gen3.5+ GFX Core	
	Display Memory	Shared system memory up to 224 MB SDRAM	
	VGA	Supports up to SXGA 1400 x 1050 @ 60 Hz	
Ethernet	Interface	10/100/1000 Mbps	
	Controller	GbE LAN1: Intel 82567V; GbE LAN2: Intel 82583V	
	Connector	2 x RJ-45 connectors	
Watchdog Timer	Output	System reset	
	Interval	Programmable, 1~255 sec/min	
Storage Interface	2.5" HDD Bay	1 (SATA)	
	slim ODD	1 (SATA)	
I/O Interface	USB	8 (4 on rear, 2 on front, 2 internal)	
	Serial	3 (1 of RS-232/422/485, 2 of RS-232)	
	Ethernet	2	
	Audio	2 (Mic-in, Line-out)	
	VGA	1	
Miscellaneous	LED Indicators	Power, HDD	
	Control	AT power switch (on rear), system reset button (on front)	
Environment	Operating Temp.	Operating 0 ~ 40° C (32 ~ 104° F)	Non-operating -20 ~ 60° C (-4 ~ 140° F)
	Operating Humidity	10 ~ 85% @ 40° C, non-condensing	
	Vibration (5~500 Hz)	1 Grms	2 G
	Shock	10 G (with 11 ms duration, half sine wave)	30 G
	Physical Characteristics	Dimensions (W x H x D)	480 x 44 x 288 mm (19" x 1.7" x 11.4")
	Net Weight	3.6 kg / 7.92 lb	

\* The motherboard only supports 2 SATA connectors.

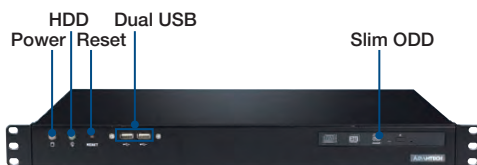
\* If IPC-100 is operated in an environment without any air flow, the environmental temperature should be no higher than 25° C.

- Intelligent Video and IoT Sensors **1**
- Intelligent Transportation Platforms **2**
- Intelligent Inspection Systems **3**
- Modular IPCs **4**
- Server-grade IPCs **5**
- Industrial Storages **6**
- Video Wall Controllers **7**
- GPU Servers **8**
- Industrial Motherboards **9**
- Slot SBC & Passive Backplanes **10**
- Compact PCI Platforms **11**
- Industrial Chassis **12**
- Industrial Computer Peripherals **13**
- Industrial Ethernet Solutions **14**

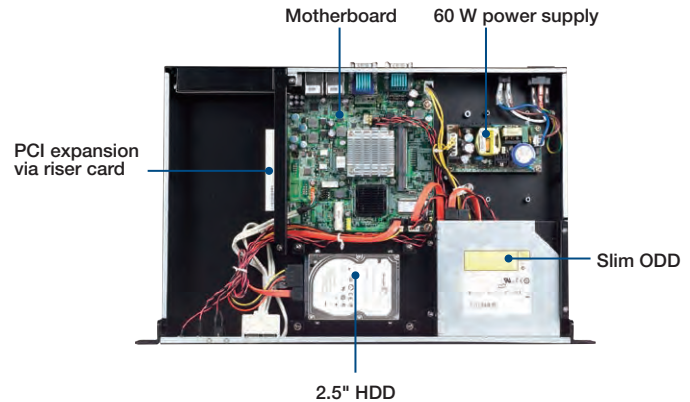
## Dimensions



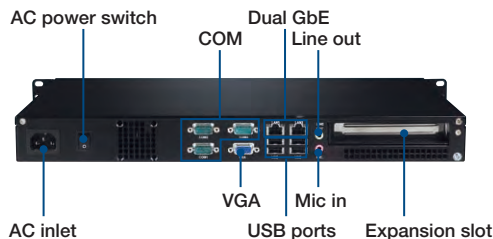
## Front View



## Inside View



## Rear View



## System Ordering Information

Part Number	CPU	Power supply	Expansion	Display	SATA	USB	COM	Audio
IPC-100-60SE	Intel Atom N450 1.66 GHz	AC to DC +12 V 60 W	1 x PCI (optional) 1 x Mini PCIe	VGA	2	8	3	2

## Packing List

Description	Quantity
IPC-100 system	x 1
SATA power cable for HDD	x 1
SATA signal cable for HDD & slim ODD	x 2
SATA power cable for slim ODD	x 1
Mounting bracket	x 2
User manual	x 1
Driver CD	x 1

## Optional Accessories

Part Number	Description
989KC10000E	1U riser card for 1 PCI expansion

# IPC-120

## Cost Effective Compact 1U Rackmount Chassis for Half-size SBC



CE FCC

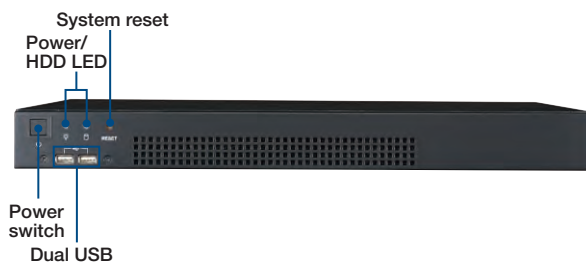
### Features

- Compact, space-saving 1U rackmount chassis
- Supports half-size SBC and up to 2 expansion cards
- Supports 80plus single power supply up to 350W
- Optional fan kit for cooling high performance add-on card

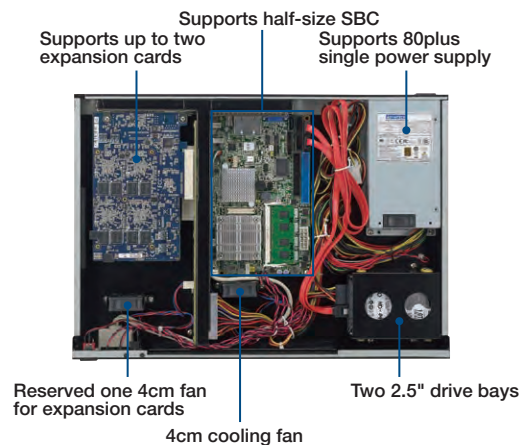
### Specifications

Drive Bay	2.5"	Internal	
		2	
Cooling	Fan	1 (4 cm / 6.5 CFM)	
	Air Filter	Yes	
Front I/O Interface	USB	2	
Miscellaneous	LED Indicators	Power, HDD	
	Rear Panel	Two 9-pin D-Sub openings	
Environment	Temperature	Operating 0 ~ 40° C (32 ~ 104° F)	Non-Operating -40 ~ 70° C (-40 ~ 156° F)
	Humidity	10 ~ 95% @ 40° C, non-condensing	
	Vibration (5 ~ 500 Hz)	1 Grms	2 G
	Shock	10 G (with 11 ms duration, half sine wave)	
	Physical Characteristics	Dimensions (W x H x D)	480 x 44 x 300 mm (19" x 1.7" x 11.8")
	Weight	3.1 kg (6.82 lb)	

### Front View



### Inside View



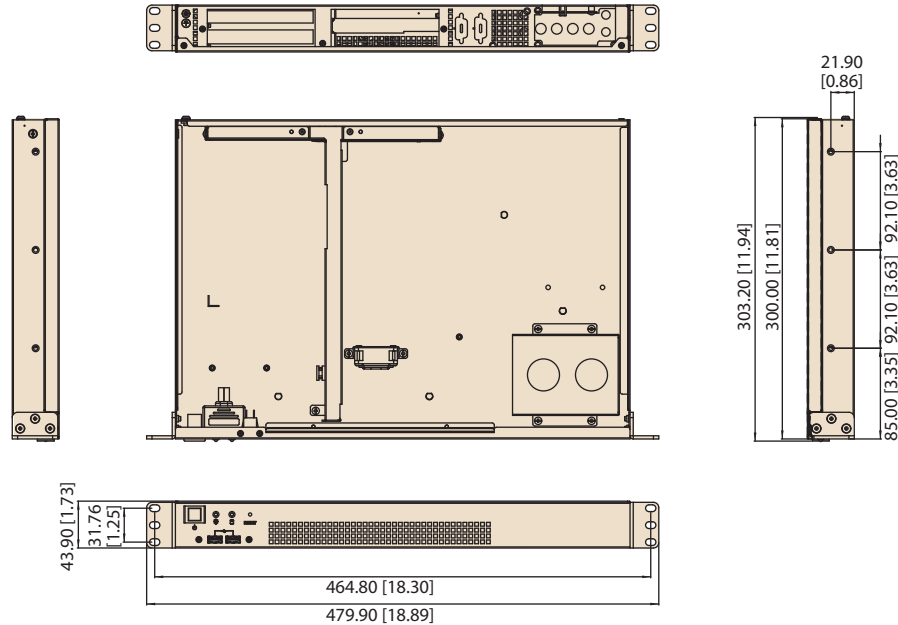
### Rear View



\*Note: Backplane, SBC, motherboard, power supply, and add-on cards are not included.

## Dimensions

Unit: mm [inch]



## Ordering Information

Part Number	Description
IPC-120BP-00XE	W/O power supply , with ATX switch
PCI-7103P1V-01A1E	PCI Half-Size BP, 3 slot, 1 PCI, 1 PCIe4

## Power Supply Options

Part Number	80 Plus Grade	Wattage	Type	Input
PS8-250FATX-XE	Bronze	250W	Single	AC 100 ~ 240V ( full range )
PSB-350FATX-XE	Bronze	350W	Single	AC 100 ~ 240V ( full range )

## Spare Parts

Part Number	Description	Quantity
2130014149T000	Fan Filter for IPC-120	
<b>Optional FAN Upgrade Kit</b>		
1750006377	Fan	1
1962601090	Fan Guard	1
1960019654N00B	Fan Holder	1
1930000074	Screws for fixing Fan and Fan Guard	4
1933030500	Screws for fixing Fan assembly	2

## CPU Card Options

Part Number	Description
PCI-7031DF-S6A1E	Half-sized SBC Atom D510 w/PCIex4
PCI-7032F-00A1E	Half-sized SBC Celeron J1900 w/PCIex1 and four PCI

- Intelligent Video and IoT Sensors **1**
- Intelligent Transportation Platforms **2**
- Intelligent Inspection Systems **3**
- Modular IPCs **4**
- Server-grade IPCs **5**
- Industrial Storages **6**
- Video Wall Controllers **7**
- GPU Servers **8**
- Industrial Motherboards **9**
- Slot SBC & Passive Backplanes **10**
- Compact PCI Platforms **11**
- Industrial Chassis **12**
- Industrial Computer Peripherals **13**
- Industrial Ethernet Solutions **14**

# IPC-603

## 2U 3-Slot Rackmount Chassis for ATX/ MicroATX Motherboard with Front I/O



CE FCC

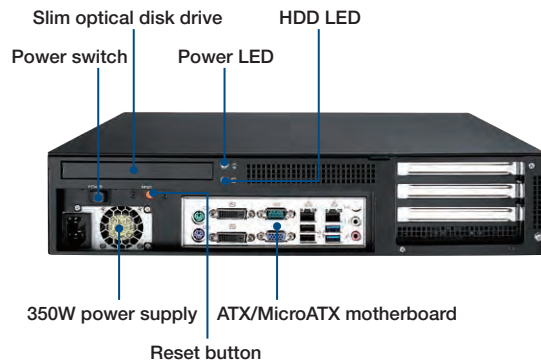
### Features

- The best embedded computing system for machinery applications
- Streamlined in-chassis airflow design supporting LGA775 Intel® Pentium® 4 processor up to 3.8 GHz with suggested CPU cooler
- All I/O interfaces are in the front
- Shock resistant disk drive bay designed to hold one slim CD-ROM and one internal 3.5" HDD
- Equipped with 350W single power supply
- Easy-to-replace air filters

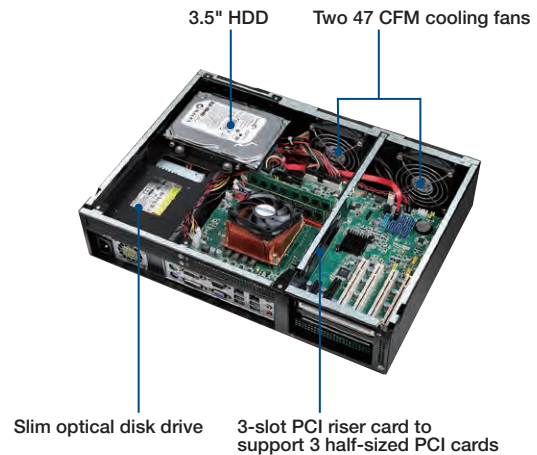
### Specifications

		External	Internal
Drive Bay	Slim Optical Disk Drive	1	-
	3.5"	-	1
Cooling	Fan	2 (8 cm/47 CFM each)	
	Air Filters	3 (85 x 80 mm)	
Miscellaneous	Notification LEDs	Power & HDD activity	
Environment	Temperature	Operating 0 ~ 40° C (32 ~ 104° F)	Non-Operating -20 ~ 60° C (-4 ~ 140° F)
	Humidity	10 ~ 85% @ 40° C, non-condensing	
	Vibration (5 ~ 500 Hz)	1 Grms	2 G
	Shock	10 G (with 11 ms duration, half sine wave)	30 G
	Physical Characteristics	Dimensions (W x H x D)	482 x 88 x 308 mm (19" x 3.46" x 12.1")
	Weight	6.4 kg (14.1 lb)	

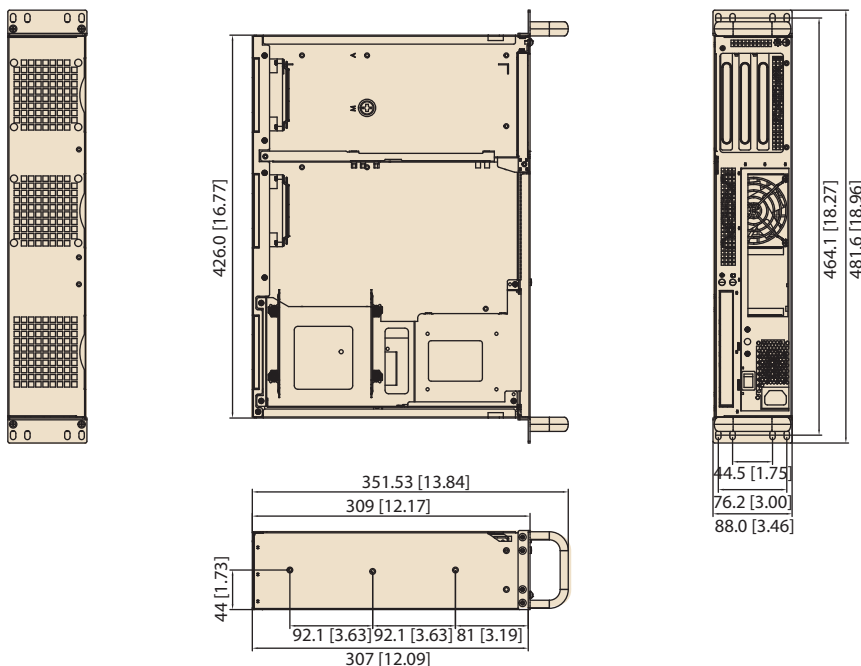
### Front View



### Inside View



**Dimensions**



**Ordering Information**

Part Number	Power Supply P/N	Wattage	Type	Input
IPC-603MB-35BE	96PS-A350WFX-2	350W	Single	AC 100 ~ 240 V full range

**Optional Accessories**

Part Number	Description
96CB-SATAPOWER-6P1	SATA power wire 6-pin to big 4-pin (for slim ODD)
1960022033T000	2U LGA775 P4 CPU cooler up to 3.4 GHz (84 W)

**Spare Parts**

Part Number	Description
2130004795S000	Fan filter 80 x 85 x 5 mm

- Intelligent Video and IoT Sensors **1**
- Intelligent Transportation Platforms **2**
- Intelligent Inspection Systems **3**
- Modular IPCs **4**
- Server-grade IPCs **5**
- Industrial Storages **6**
- Video Wall Controllers **7**
- GPU Servers **8**
- Industrial Motherboards **9**
- Slot SBC & Passive Backplanes **10**
- CompactPCI Platforms **11**
- Industrial Chassis **12**
- Industrial Computer Peripherals **13**
- Industrial Ethernet Solutions **14**

# IPC-510

## Economical 4U Rackmount Chassis with Front USB and PS/2 Interfaces



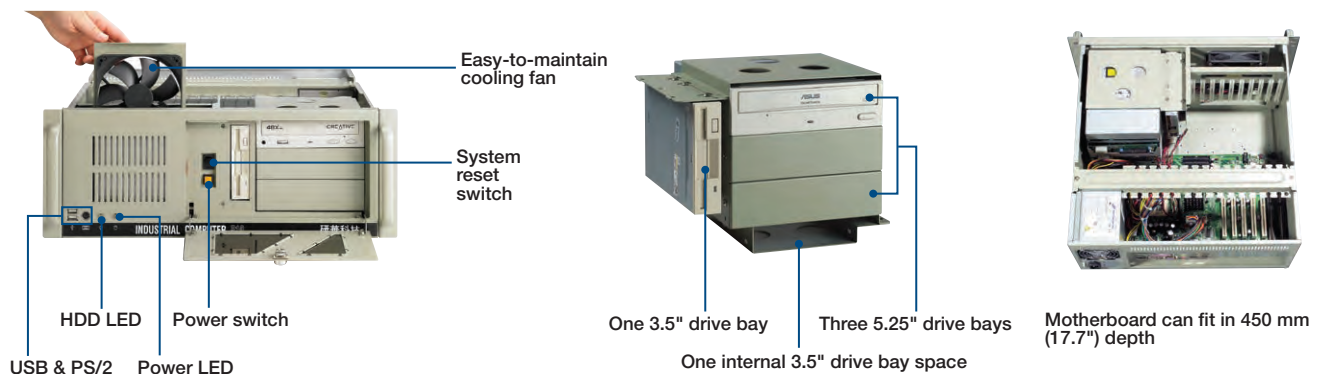
### Features

- The most cost-effective rackmount chassis
- Supports PS/2 single power supply
- Easy to install front-accessible drive bays to hold three 5.25" and two 3.5" drives (one front-accessible & one internal)
- Front-accessible USB & PS/2 interfaces
- Designed to withstand environmental extremes, such as shock, vibration and high temperature

CE FCC

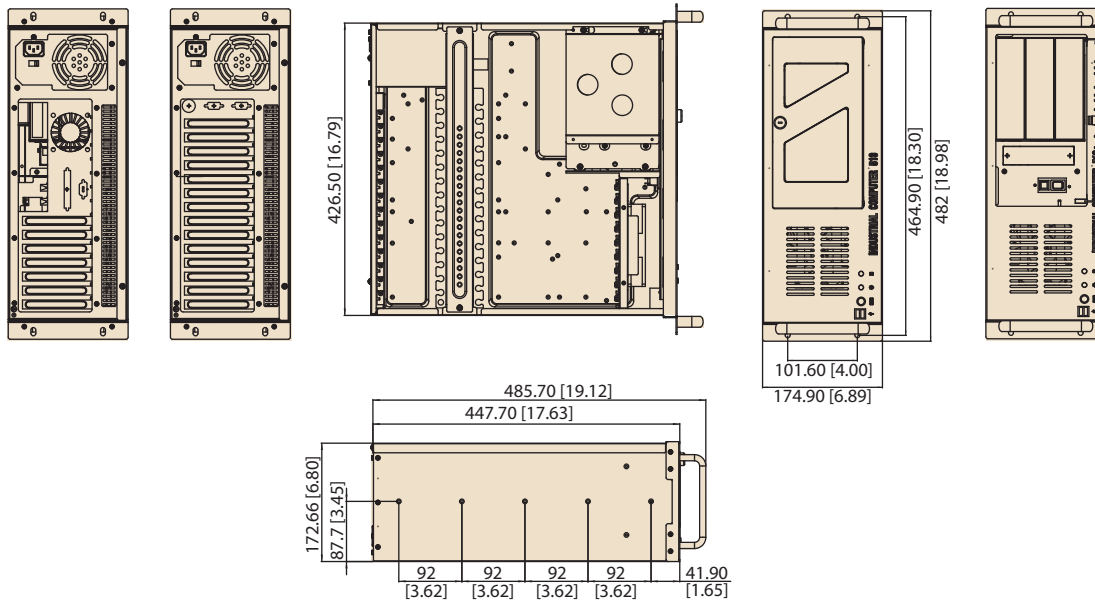
### Specifications

Drive Bay	5.25"	External 3	Internal -
	3.5"	1	1
Cooling	Fan	1 (12 cm / 77 CFM)	
	Air Filter	Yes	
Front I/O Interface	USB	2	
	PS/2	1	
Miscellaneous	LED Indicators	Power and HDD activity	
	Rear Panel	Backplane version: Two 9-pin D-Sub openings Motherboard version: One 9-pin D-Sub and one 68-pin SCSI openings	
Environment	Temperature	Operating 0 ~ 40° C (32 ~ 104° F)	Non-Operating -20 ~ 60° C (-4 ~ 140° F)
	Humidity	10 ~ 85% @ 40° C, non-condensing	
	Vibration (5 ~ 500 Hz)	1 Grms	2 G
	Shock	10 G (with 11 ms duration, half sine wave)	30 G
	Physical Characteristics	Dimensions (W x H x D)	486 x 177 x 446 mm (19" x 7" x 17.6")
	Weight	10.7 kg (23.5 lb)	



## Dimensions

Unit: mm [inch]



## Ordering Information

Part Number	Power Supply
<b>Backplane Version</b>	
IPC-510BP-00XBE	Without power supply, with ATX switch
IPC-510BP-30CE	96PS-A300WPS2
<b>Motherboard Version</b>	
IPC-510MB-00XBE	Without power supply, with ATX switch
IPC-510MB-30CE	96PS-A300WPS2

## Power Supply Options

Part Number	80 Plus Grade	Wattage	Type	Input
PS8-250ATX-ZE	Bronze	250W	Single	AC 100 ~ 240V (full range)
PS8-300ATX-ZBE	Bronze	300W	Single	AC 100 ~ 240V (full range)
PS8-400ATX-ZE	Bronze	400W	Single	AC 100 ~ 240V (full range)

## Optional Accessories

Part Number	Description
IPC-DT-3120E	Mobile rack for converting a 3.5" drive bay to dual 2.5" SATA HDD trays
IPC-DT-5230E	Mobile rack for converting dual 5.25" drive bays to three 3.5" SAS/SATA HDD trays

## Spare Parts

Part Number	Description
2130006190S000	Fan filter 120 x 100 x 15 mm

- Intelligent Video and IoT Sensors **1**
- Intelligent Transportation Platforms **2**
- Intelligent Inspection Systems **3**
- Modular IPCs **4**
- Server-grade IPCs **5**
- Industrial Storages **6**
- Video Wall Controllers **7**
- GPU Servers **8**
- Industrial Motherboards **9**
- Slot SBC & Passive Backplanes **10**
- CompactPCI Platforms **11**
- Industrial Chassis **12**
- Industrial Computer Peripherals **13**
- Industrial Ethernet Solutions **14**

# IPC-610-L/ IPC-611

## 4U 15-Slot Rackmount Chassis with Front-Accessible Fan



IPC-610-L

### Features

- Supports an ATX motherboard or a backplane with up to 15 slots
- Shock-resistant disk drive bay design holds up to three 5.25" and one 3.5" disk drives
- Special hold-down clamp design with rubber cushions protects the cards from shocks and vibrations
- Power and HDD activity notification improves system availability
- Front-accessible air filter for easy system maintenance
- Lockable front door prevents unauthorized access
- Flexible mechanical design supports both 300W single PS/2 and redundant ATX power supply

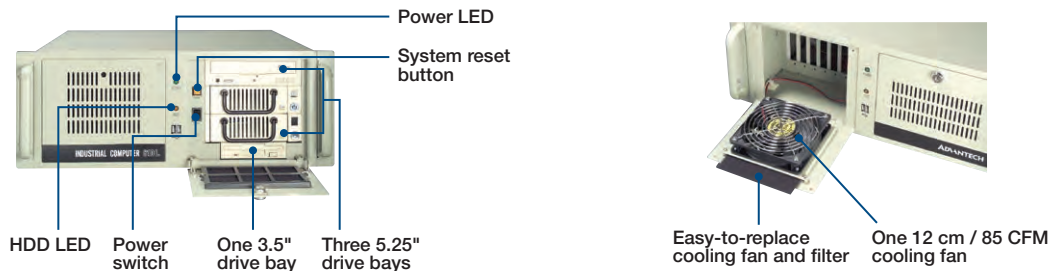
CE FCC

### Specifications

Drive Bay	3.5"	External	1
	5.25"		3
Cooling	Fan		1 (12 cm / 85 CFM)
	Air Filter		Yes
Miscellaneous	LED Indicators	Power and HDD activity	
	Control	Power switch and system reset button	
	Rear Panel	Backplane version: One 9-pin D-Sub opening Motherboard version: Five 9-pin D-Sub & one 68-pin SCSI openings	
Environment	Temperature	Operating	Non-Operating
	Humidity	0 ~ 40° C (32 ~ 104° F)	-20 ~ 60° C (-4 ~ 140° F)
	Vibration (5 ~ 500 Hz)	10 ~ 85 % @ 40° C, non-condensing	10 ~ 95 % @ 40° C, non-condensing
	Shock	1 Grms	2 G
Physical Characteristics	Color / Logo	IPC-610-L: Beige / Advantech Logo IPC-611: Black / No Logo	
	Dimensions (W x H x D)	482 x 177 x 480 mm (19" x 7" x 18.9")	
	Weight	14.5 kg (31.9 lb) / 14.2 kg (31.2 lb)	

### Front View

#### IPC-610-L

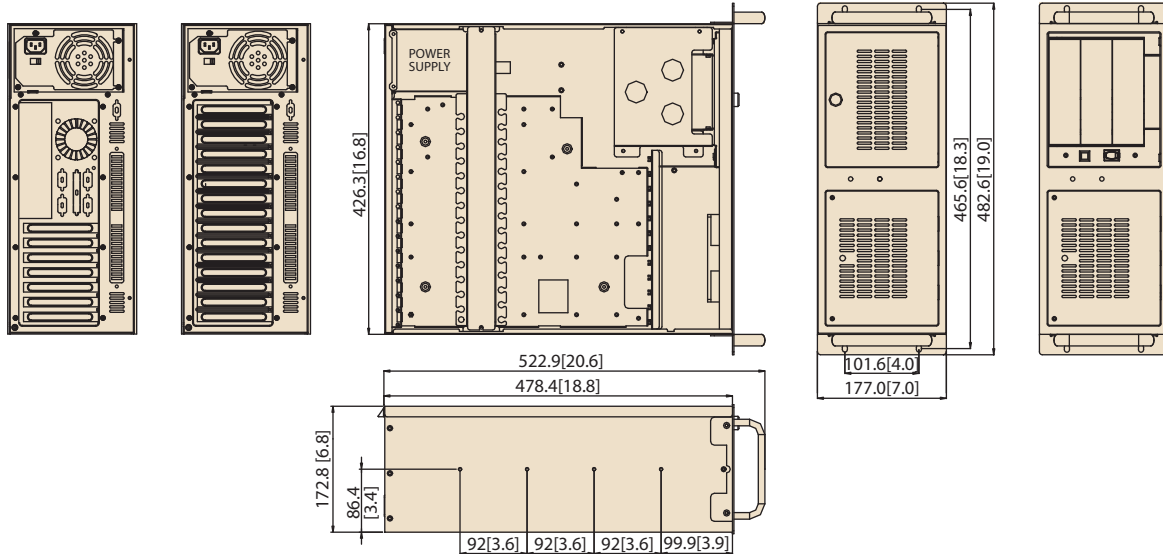


#### IPC-611



## Dimensions

Unit: mm [inch]



## Ordering Information

Part Number	Power Supply
<b>Backplane Version</b>	
IPC-610BP-00LBE	Without power supply, with ATX/AT switch
IPC-611BP-00XBE	Without power supply, with ATX switch
<b>Motherboard Version</b>	
IPC-610MB-00LBE	Without power supply, with ATX switch
IPC-611MB-00XBE	Without power supply, with ATX switch

## Power Supply Options

(For detailed power supply specs, please refer to Chapter 13)

Part Number	80 Plus Grade	Wattage	Type	Input
PS8-250ATX-ZE	Bronze	250W	Single	AC 100 ~ 240 (full range)
PS8-300ATX-ZBE	Bronze	300W	Single	AC 100 ~ 240 (full range)
RPS8-350ATX-XE	Gold	350W	1+1 Redundant	AC 100 ~ 240 (full range)
RPS8-500ATX-XE	Bronze	500W	1+1 Redundant	AC 100 ~ 240 (full range)

## Optional Accessories

Part Number	Description
IPC-DT-5230E	Mobile rack for converting dual 5.25" drive bays to three 3.5" SAS/SATA HDD trays

## Spare Parts

Part Number	Description
2130006149S000	Fan filter 127 x 127 x 5 mm
2130004802S000	Door filter 142 x 97 x 5 mm

- Intelligent Video and IoT Sensors **1**
- Intelligent Transportation Platforms **2**
- Intelligent Inspection Systems **3**
- Modular IPCs **4**
- Server-grade IPCs **5**
- Industrial Storages **6**
- Video Wall Controllers **7**
- GPU Servers **8**
- Industrial Motherboards **9**
- Slot SBC & Passive Backplanes **10**
- CompactPCI Platforms **11**
- Industrial Chassis **12**
- Industrial Computer Peripherals **13**
- Industrial Ethernet Solutions **14**

# IPC-610-H

## 4U Rackmount Chassis with Visual Alarm Notification



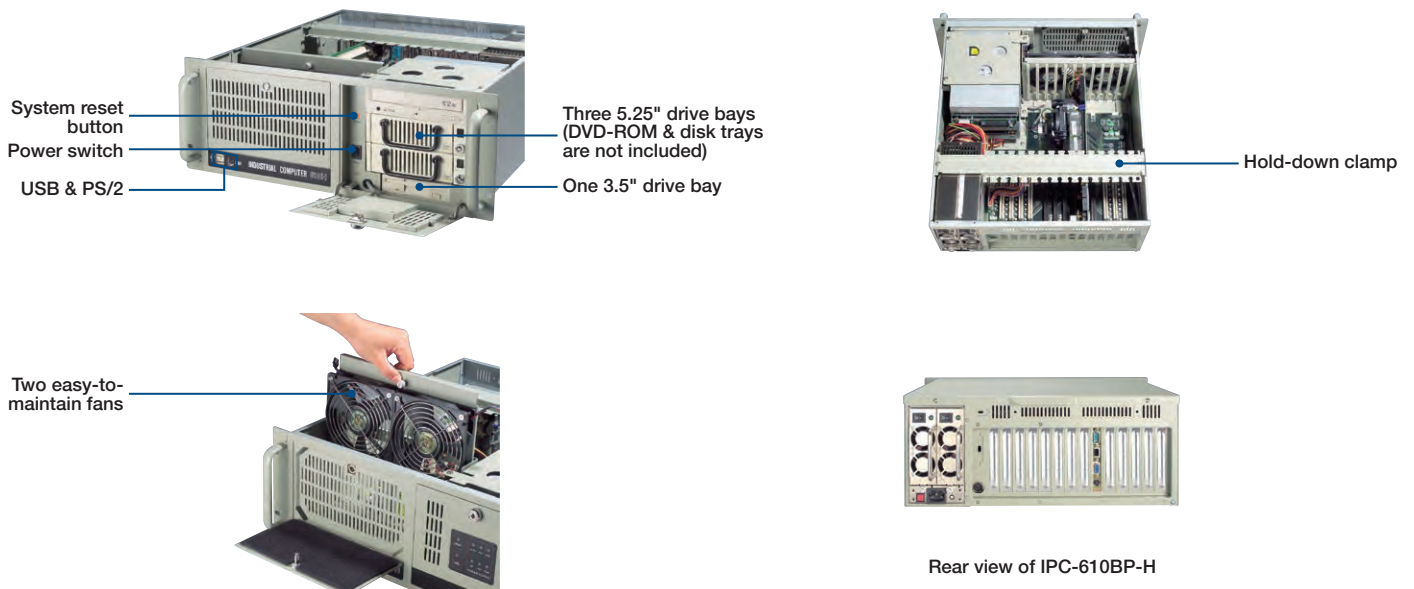
### Features

- 4U rackmount chassis supports up to 15 add-on cards
- Shock-resistant disk drive bay design holds up to three 5.25" and one 3.5" disk drives
- Front accessible USB & PS/2 interfaces for easy data transfer
- Dual front-accessible filtered cooling fans provide optimized and streamlined airflow
- Front LEDs indicate power status, and HDD activity
- Lockable front door prevents unauthorized access
- Supports single PS/2 and redundant ATX power supplies

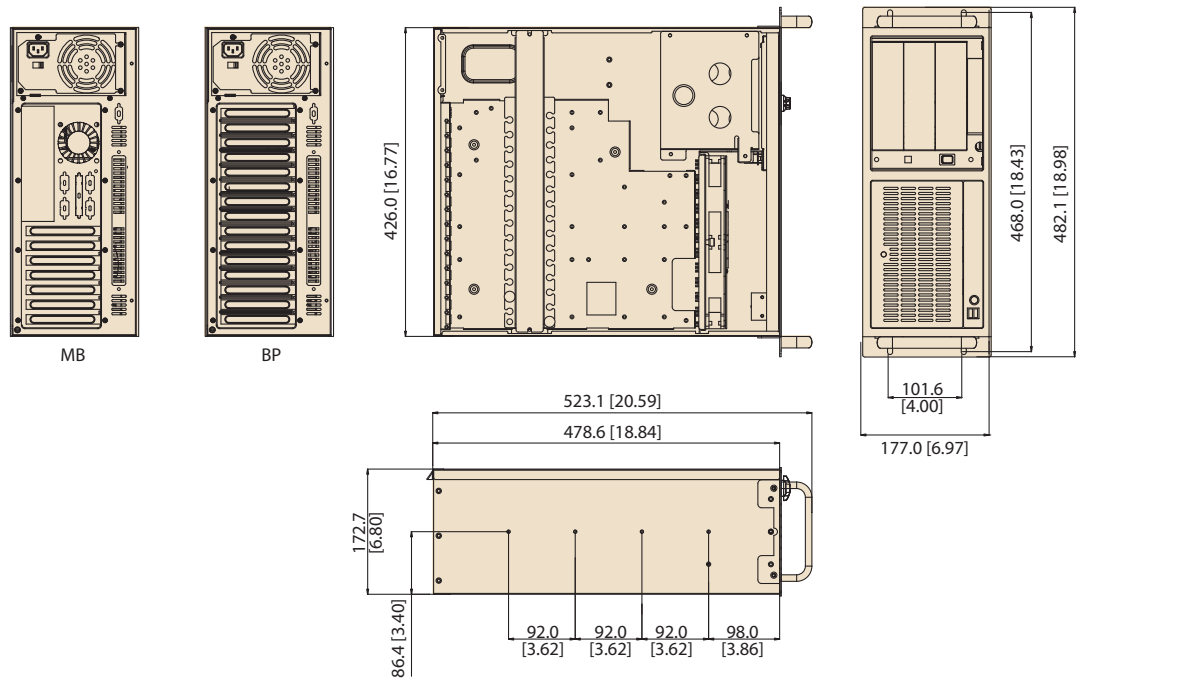
CE FCC

### Specifications

Drive Bay	3.5"	External	1
	5.25"		3
Cooling	Fan		2 (12 cm / 85 CFM each)
	Air Filter		Yes
Front I/O Interface	USB		2
	PS/2		1
Miscellaneous	LED Indicators	Power, HDD, and power voltage status	
	Rear Panel	Backplane version: One 9-pin D-Sub opening Motherboard version: Five 9-pin D-Sub & one 68-pin SCSI openings	
Environment	Temperature	Operating	Non-Operating
		0 ~ 40° C (32 ~ 104° F)	-20 ~ 60° C (-4 ~ 140° F)
	Humidity	10 ~ 85% @ 40° C, non-condensing	
		10 ~ 95% @ 40° C, non-condensing	
	Vibration (5 ~ 500 Hz)	1 Grms	2 G
	Shock	10 G (with 11 ms duration, half sine wave)	30 G
Physical Characteristics	Dimensions (W x H x D)	482 x 177 x 479 mm (19" x 7" x 18.9")	
	Weight	15 kg (33 lb)	



## Dimensions



## Ordering Information

Part Number	Power Supply
<b>Backplane Version</b>	
IPC-610BP-00XHE	Without power supply, with ATX switch
IPC-610BP-30HBE	96PS-A300WPS2
IPC-610BP-40HBE	96PS-A400WPS2
IPC-610BP-50HBE	96PS-A500WPS2
<b>Motherboard Version</b>	
IPC-610MB-00XHE	Without power supply, with ATX switch
IPC-610MB-30HBE	96PS-A300WPS2
IPC-610MB-40HBE	96PS-A400WPS2
IPC-610MB-50HBE	96PS-A500WPS2

## Power Supply Options

(For detailed power supply specs, please refer to Chapter 13)

Part Number	80 Plus Grade	Wattage	Type	Input
PS8-300ATX-ZBE	Bronze	300W	Single	AC 100 ~ 240 (full range)
PS8-400ATX-ZE	Bronze	400W	Single	AC 100 ~ 240 (full range)
PS8-500ATX-ZE	Bronze	500W	Single	AC 100 ~ 240 (full range)
PS-300ATX-DC48E	-	300W	Single	DC - 48V
RPS8-350ATX-XE	Gold	350W	1+1 Redundant	AC 100 ~ 240 (full range)
RPS8-500ATX-XE	Bronze	500W	1+1 Redundant	AC 100 ~ 240 (full range)

## Optional Accessories

Part Number	Description
1700006916	ATX 24P/20P + 4P + 15P 60cm (connecting from power supply to LED board)
1700006917	Two Mini DIN (connect to MB) / 6P (connect to front I/O board) PS2 KB/Mouse cable
IPC-DT-5230E	Mobile rack for converting dual 5.25" drive bays to three 3.5" SAS/SATA HDD trays

\* If users use AIMB-763 or 3rd party motherboard, they need to purchase 1700006915 or 1700006916 for the front voltage LEDs to function normally. And they also need to purchase 1700006917 to make front PS/2 function normally.

## Spare Parts

Part Number	Description
2130006147S000	Door filter 97.6 x 36.6 x 5 mm
2130004803S000	Fan filter 115 x 195 x 5 mm

Intelligent Video and IoT Sensors	1
Intelligent Transportation Platforms	2
Intelligent Inspection Systems	3
Modular IPCs	4
Server-grade IPCs	5
Industrial Storages	6
Video Wall Controllers	7
GPU Servers	8
Industrial Motherboards	9
Slot SBC & Passive Backplanes	10
CompactPCI Platforms	11
Industrial Chassis	12
Industrial Computer Peripherals	13
Industrial Ethernet Solutions	14

# IPC-610-F

## Classic 4U 15-Slot Rackmount Chassis



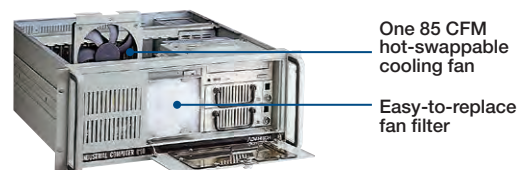
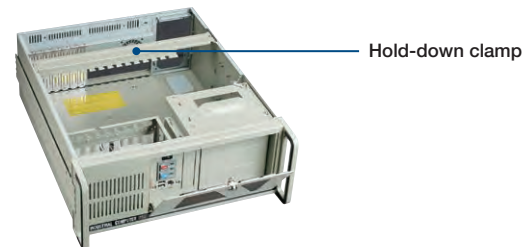
### Features

- 4U rackmount chassis supports up to 15 cards
- Shock-resistant disk drive bay design holds up to three 5.25" and two 3.5" (one front-accessible & one internal) disk drives
- Special hold-down clamp design with rubber cushions protects the cards from shock and vibration
- Power and HDD activity notification improves system availability
- Front-accessible air filter for easy system maintenance
- Lockable front door prevents unauthorized access
- 300W / 400W AC and 300W DC ATX power supply options

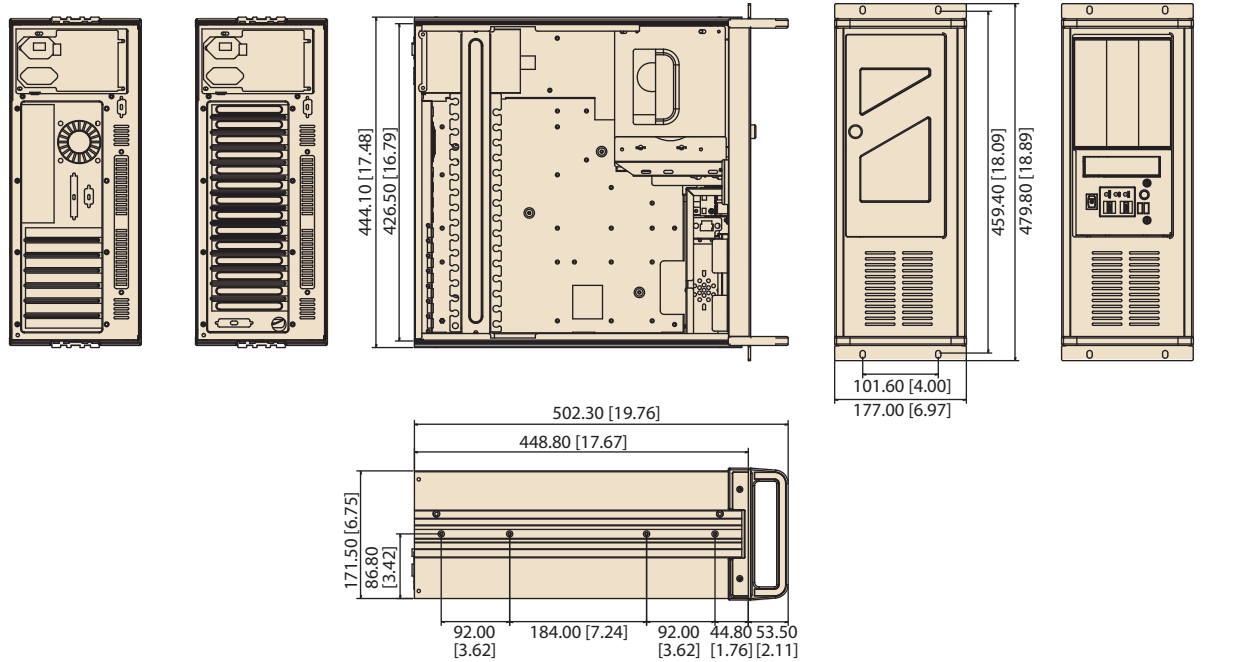
CE FCC

### Specifications

Drive Bay	3.5"	External	1	Internal	1
	5.25"		3		-
Cooling	Fan		1 (12 cm / 85 CFM)		
	Air Filter		Yes		
Front I/O Interface	USB		2		
	PS/2		1		
Miscellaneous	LED Indicators		Power, HDD, keyboard lock		
	Control		Power, system reset and keyboard lock switches		
	Rear Panel		Backplane version: One 9-pin D-Sub opening Motherboard version: Five 9-pin D-Sub & one 68-pin SCSI openings		
Environment	Temperature	Operating	0 ~ 40° C (32 ~ 104° F)	Non-Operating	-20 ~ 60° C (-4 ~ 140° F)
	Humidity		10 ~ 85% @ 40° C, non-condensing		10 ~ 95% @ 40° C, non-condensing
	Vibration (5 ~ 500 Hz)		1 Grms		2 G
	Shock		10 G (with 11 ms duration, half sine wave)		30 G
Physical Characteristics	Dimensions (W x H x D)		IPC-610BP: 482 x 177 x 449 mm (19" x 7" x 17.8") IPC-610MB: 482 x 177 x 499 mm (19" x 7" x 19.6")		
	Weight		16.2 kg (35.6 lb)		



## Dimensions



## Ordering Information

Part Number	Power Supply
<b>Backplane Version</b>	
IPC-610BP-00FEE	Without power supply, with ATX switch
IPC-610BP-30FEE	96PS-A300WPS2
<b>Motherboard Version</b>	
IPC-610MB-00FEE	Without power supply, with ATX switch
IPC-610MB-30FEE	96PS-A300WPS2

## Power Supply Options

(For detailed power supply specs, please refer to Chapter 13)

Part Number	80 Plus Grade	Wattage	Type	Input
PS8-300ATX-ZBE	Bronze	300W	Single	AC 100 ~ 240 (full range)
PS8-400ATX-ZE	Bronze	400W	Single	AC 100 ~ 240 (full range)
PS-300ATX-DC48E	-	300W	Single	DC - 48V
RPS8-350ATX-XE	Gold	350W	1+1 Redundant	AC 100 ~ 240 (full range)
RPS8-500ATX-XE	Bronze	500W	1+1 Redundant	AC 100 ~ 240 (full range)

## Optional Accessories

Part Number	Description
IPC-DT-3120E	Mobile rack for converting a 3.5" drive bay to dual 2.5" SATA HDD trays
IPC-DT-5230E	Mobile rack for converting dual 5.25" drive bays to three 3.5" SAS/SATA HDD trays

## Spare Parts

Part Number	Description
2130006190S000	Fan filter 120 x 100 x 15 mm

- Intelligent Video and IoT Sensors **1**
- Intelligent Transportation Platforms **2**
- Intelligent Inspection Systems **3**
- Modular IPCs **4**
- Server-grade IPCs **5**
- Industrial Storages **6**
- Video Wall Controllers **7**
- GPU Servers **8**
- Industrial Motherboards **9**
- Slot SBC & Passive Backplanes **10**
- CompactPCI Platforms **11**
- Industrial Chassis **12**
- Industrial Computer Peripherals **13**
- Industrial Ethernet Solutions **14**

# IPC-619

## Short-depth 4U rackmount chassis for full-size SBC



CE FCC

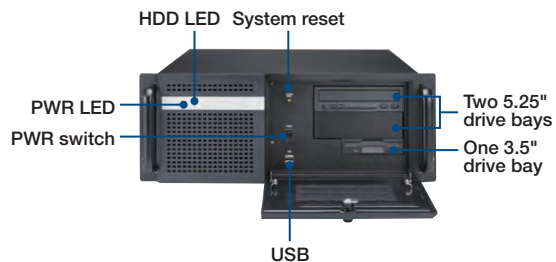
### Features

- Space-saving 4U rackmount chassis, with only 429 mm depth
- Supports backplanes up to 14 slots
- Shock-resistant drive bay design supports up to two 5.25" and one 3.5" disk drives
- Power supply options up to 400W PS/2 single power

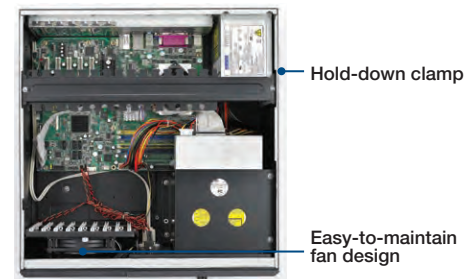
### Specifications

Drive Bay	5.25"	External	2
	3.5"		1
Cooling	Fans		1 (12 cm/85 CFM)
	Air Filters		Yes
I/O interfaces	USB		2 (front-accessible)
Miscellaneous	Notification LEDs		PWR, HDD
	Control		Power switch and system reset button
	Rear Panel		One 9-pin D-Sub opening
Environment		Operating	Non-Operating
	Temperature	0 ~ 40° C (32 ~ 104° F)	-20 ~ 60° C (-4 ~ 140° F)
	Humidity	10 ~ 85% @ 40° C, non-condensing	10 ~ 95% @ 40° C, non-condensing
	Vibration (5-500 Hz)	1 Grms	2 G
	Shock	10 G (with 11 ms duration, half sine wave)	30 G
Physical	Dimensions (W x H x D)	482 x 177 x 430 mm (19" x 7" x 16.9")	
	Weight	15 kg (33 lb)	

### Front View

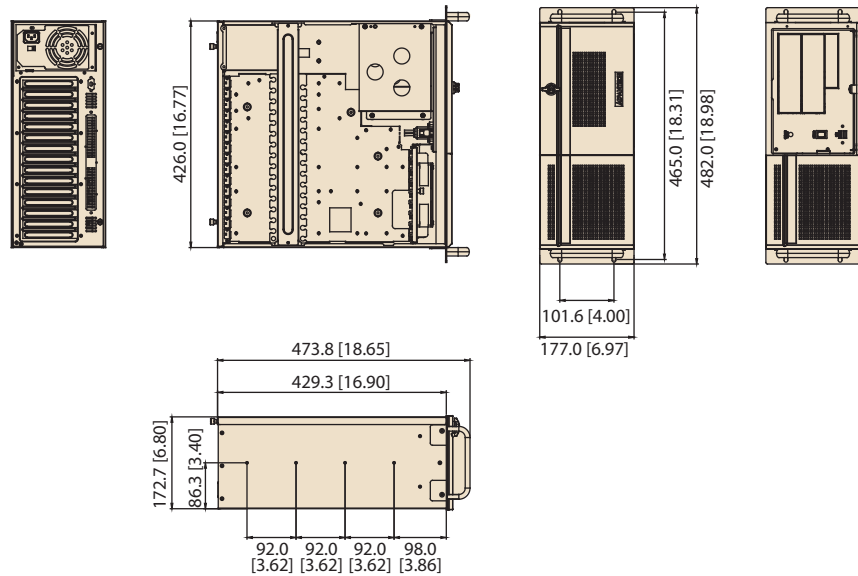


### Inside View



## Dimensions

Unit: mm [inch]



## Ordering Information

Model Name	Power Supply
IPC-619BP-00XE	Without power supply, with ATX switch

## Power Supply Options

Part Number	80 Plus Grade	Wattage	Type	Input
PS8-250ATX-ZE	Bronze	250W	Single	AC 100 ~ 240V (full range)
PS8-300ATX-ZBE	Bronze	300W	Single	AC 100 ~ 240V (full range)
PS8-400ATX-ZE	Bronze	400W	Single	AC 100 ~ 240V (full range)

## Optional Accessories

Part Name	Description
1990001298	Door filter 150 x 68 mm
1990001299	Fan filter 95 x 130 mm
1750002121	Fan 120 x 120 x 25 mm
IPC-DT-3120E	Mobile rack for converting a 3.5" drive bay to dual 2.5" SATA HDD trays
IPC-DT-5230E	Mobile rack for converting dual 5.25" drive bays to three 3.5" SAS/SATA HDD trays

- Intelligent Video and IoT Sensors 1
- Intelligent Transportation Platforms 2
- Intelligent Inspection Systems 3
- Modular IPCs 4
- Server-grade IPCs 5
- Industrial Storages 6
- Video Wall Controllers 7
- GPU Servers 8
- Industrial Motherboards 9
- Slot SBC & Passive Backplanes 10
- CompactPCI Platforms 11
- Industrial Chassis 12
- Industrial Computer Peripherals 13
- Industrial Ethernet Solutions 14

# IPC-623

## 4U 20-Slot Rackmount Chassis with Multi-System and Front-Accessible Redundant Power Supply



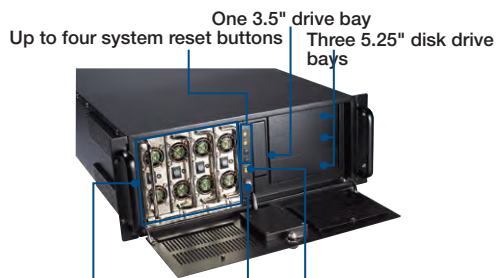
### Features

- 4U rackmount chassis supports up to 4 multi-systems
- Front-accessible redundant power supply
- Shockproof disk drive bay design can hold up to three front-accessible 5.25" and one 3.5" disk drives, and one internal 3.5" HDD
- Three 12 cm / 114 CFM ball-bearing cooling fans
- Front LEDs and audible alarm notifications for system power status, fan operation, HDD status, and in-chassis temperature monitoring
- Dual top cover designed for easy maintenance
- Five easily replaceable air filters provide good airflow
- Redundant power supplies are all with dual AC inputs

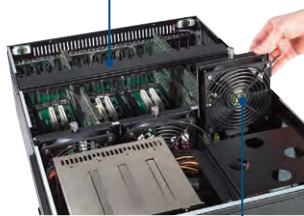
CE FCC

### Specifications

		Front-accessible	Internal
Drive Bay	3.5"	1	1
	5.25"	3	-
Cooling	Fan	3 (12 cm / 114 CFM each)	
	Air Filter	4 (200 x 45 mm) + 1 (128 x 95 mm)	
Miscellaneous	LED Indicators	Power, HDD, fan, temperature, and power voltage status	
	Control	Power switch, system reset (reserve 3 more for quad-system) and alarm reset buttons	
	Hold-down Clamp	Hold-down clamp with rubber pad underneath and accessory rubber cushions	
Environment		Operating	Non-Operating
	Temperature	0 ~ 40° C (32 ~ 104° F)	-20 ~ 60° C (-4 ~ 140° F)
	Humidity	10 ~ 85% @ 40° C, non-condensing	10 ~ 95% @ 40° C, non-condensing
	Vibration (5 ~ 500 Hz)	1 Grms	2 G
	Shock	10 G (with 11 ms duration, half sine wave)	30 G
Physical Characteristics	Dimensions (W x H x D)	482 x 177 x 657 mm (19" x 7" x 26")	
	Weight	26 kg (57 lb)	



Hold-down clamp with rubber pads underneath



Three 114 CFM hot-swappable fans



Dual AC power cords for 460W / 570W / 810W redundant power supply

Hot-swappable redundant power supply Power button Alarm reset button



Power voltage status

Single power supply

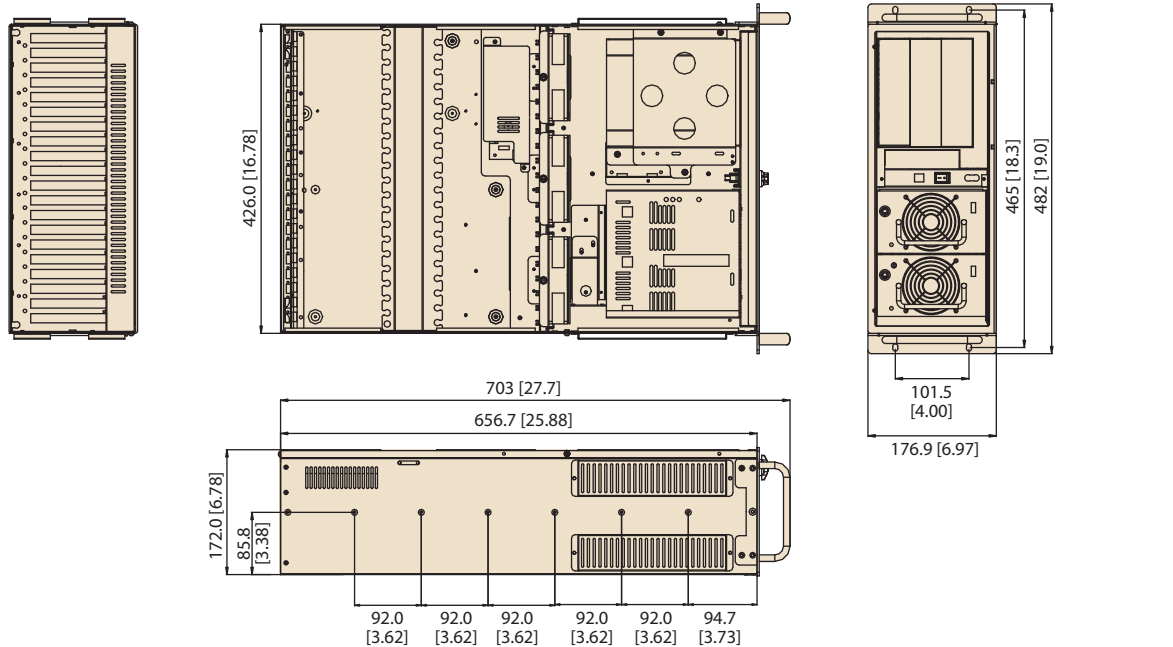


Extra drive bay which can hold up to three 3.5" HDDs



Front panel appearance while with single power supply configuration

## Dimensions



## Ordering Information

Part Number	Power Supply
IPC-623BP-00XBE	Barebone chassis for 500W single P/S
IPC-623BP-00RBE	Barebone chassis for 460W / 570W / 810W RPS, with ATX switch

## Power Supply Options

(For detailed power supply specs, please refer to Chapter 13)

Part Number	Specifications	
	Watts	Input
96PS-A400WPS2-2	400W (ATX, PFC)	AC 100 ~ 240 V (full range)
96PS-A500WPS2-2	500W (ATX, PFC)	AC 115 ~ 240 V (full range)
96PSR-A460WOTH-2	460W (ATX, PFC)	AC 100 ~ 240 V (full range)
1757001761 (2+1 redundant)	570W (ATX, PFC)	AC 115 ~ 230 V (full range)
1757001677 (3+1 redundant)	810W (ATX, PFC)	AC 115 ~ 230 V (full range)

## Optional Accessories

Part Number	Description
IPC-DT-3120E	Mobile rack for converting a 3.5" drive bay to dual 2.5" SATA HDD trays
IPC-DT-5230E	Mobile rack for converting dual 5.25" drive bays to three 3.5" SAS/SATA HDD trays
1700002459	Reset button with wire

## Spare Parts

Part Number	Description
2130004799S000	Side filter 45 x 200 x 6 mm
2130004800S000	Door filter 130 x 95 x 6 mm

- Intelligent Video and IoT Sensors **1**
- Intelligent Transportation Platforms **2**
- Intelligent Inspection Systems **3**
- Modular IPCs **4**
- Server-grade IPCs **5**
- Industrial Storages **6**
- Video Wall Controllers **7**
- GPU Servers **8**
- Industrial Motherboards **9**
- Slot SBC & Passive Backplanes **10**
- CompactPCI Platforms **11**
- Industrial Chassis **12**
- Industrial Computer Peripherals **13**
- Industrial Ethernet Solutions **14**

# IPC-622

## 6U 20-Slot Rack-mount Short Depth Chassis with Redundant Power Supply



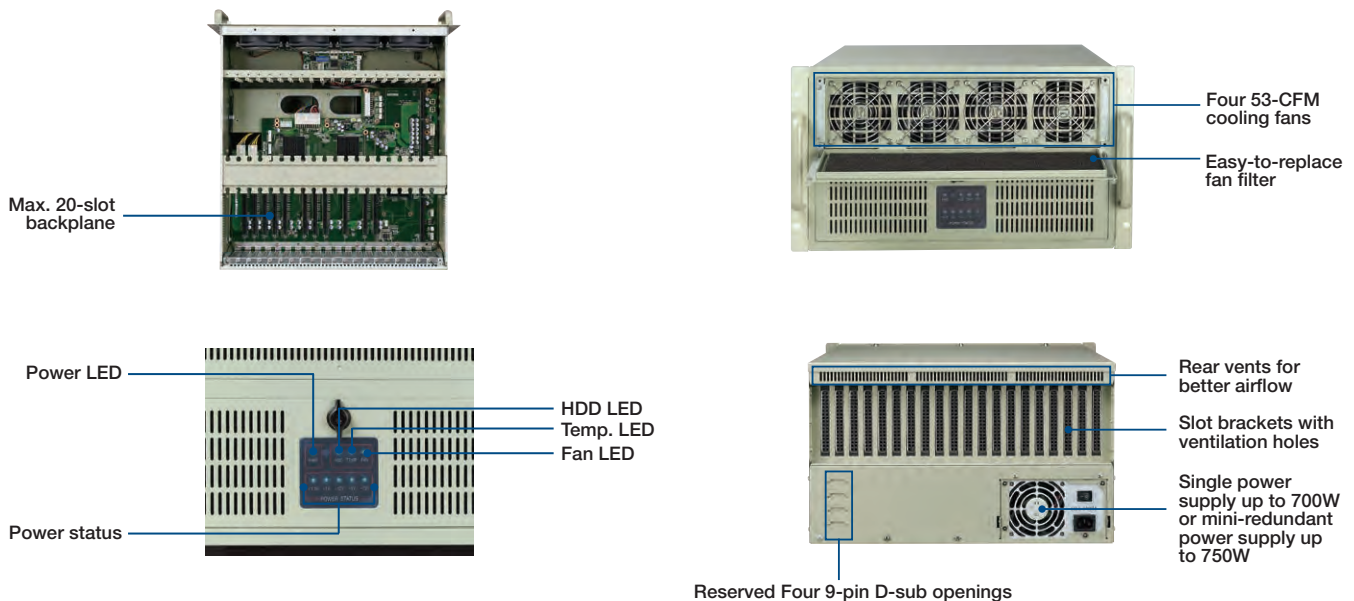
### Features

- 6U rackmount chassis supports PICMG 1.0/1.3 20 slots backplane
- Support Mini-redundant power supply up to 750W
- LED indicators and audible alarm notification for system fault detection
- Four 9 cm / 53 CFM ball-bearing system fans for excellent cooling
- Front accessible fan filters for easy maintenance
- Lockable front door prevents unauthorized access
- Built-in Intelligent System Module enabling whole system fan control and remote manageability

CE FCC

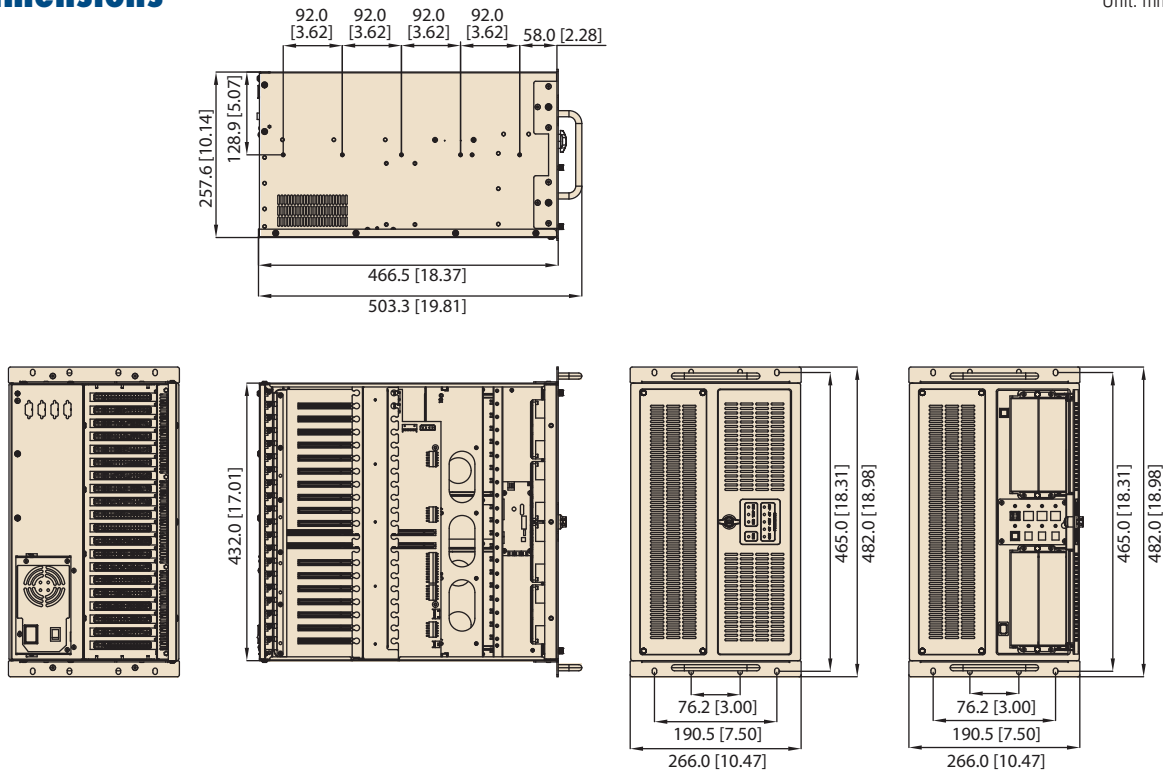
### Specifications

Drive Bay	5.25"	Front-accessible	Internal
	3.5"	4	-
Cooling	Fan	4 (9 cm / 58 CFM each)	2
	Air Filter	Yes (Front accessible)	
Front I/O Interface	USB	2 (default) and reserve up to 4 sets of dual USB ports in the front	
Miscellaneous	LED Indicators	Power, HDD, fan, temperature and power voltage status	
	Control	Power switch, system reset (reserve 3 more for quad-system) and alarm reset buttons	
	Rear Panel	Four 9-pin D-sub openings	
Intelligent System Module Remote Monitoring	CPU/System fan speed , CPU/System temperature , motherboard voltage (Only selected Advantech MBs/CPU cards with SUSIAccess installed can fully enable these functions, check with Advantech local rep. for detailed information.)		
Environment	Temperature	Operating	Non-Operating
	Humidity	0 ~ 40° C (32 ~ 104° F)	-20 ~ 60° C (-4 ~ 140° F)
	Vibration (5 ~ 500 Hz)	10 ~ 85% @ 40° C, non-condensing	10 ~ 95% @ 40° C, non-condensing
	Shock	0.5 Grms	1 Grms
Physical Characteristics	Dimensions (W x H x D)	5G (with 11 ms duration, half sine wave)	
	Weight	482 x 266 x 464 mm (19" x 10.5" x 18.3")	
		30.0 kg (66 lb)	



## Dimensions

Unit: mm [inch]



## Ordering Information

Part Number	Description
IPC-622BP-00DE	W/O power supply, with AT switch

## Power Supply Options

Part Number	80 Plus Grade	Wattage	Type	Input
PS8-400ATX-ZE	Bronze	400W	Single	AC 100 ~ 240V (full range)
PS8-500ATX-ZE	Bronze	500W	Single	AC 100 ~ 240V (full range)
PS8-700ATX-ZE	Bronze	700W	Single	AC 100 ~ 240V (full range)
RPS8-500ATX-XE (1+1 redundant)	Bronze	500W	1+1 Redundant	AC 100 ~ 240V (full range)
RPS8-750ATX-XE (1+1 redundant)	Gold	750W	1+1 Redundant	AC 100 ~ 240V (full range)

## Optional Accessories

Part Number	Description
1700002444	Reset button with wire
1700007032	Dual USB connector with wire
IPC-DT-5230E	Mobile rack for converting dual 5.25" drive bays to three 3.5" SAS/SATA HDD trays

## Spare Parts

Part Number	Description
2130004802S000	Door filter 142 x 97 x 5 mm
2130004804S000	Fan filter 382 x 93 x 5 mm

Intelligent Video and IoT Sensors 1

Intelligent Transportation Platforms 2

Intelligent Inspection Systems 3

Modular IPCs 4

Server-grade IPCs 5

Industrial Storages 6

Video Wall Controllers 7

GPU Servers 8

Industrial Motherboards 9

Slot SBC & Passive Backplanes 10

CompactPCI Platforms 11

Industrial Chassis 12

Industrial Computer Peripherals 13

Industrial Ethernet Solutions 14